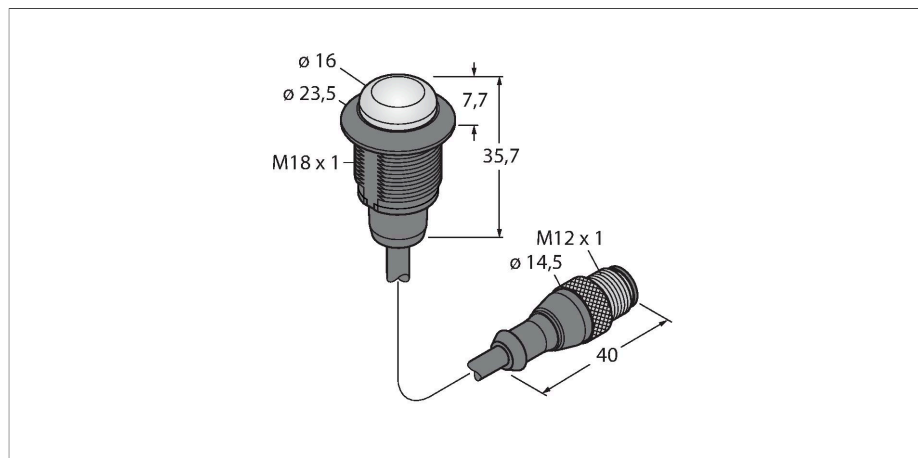


S18LBXXPQP

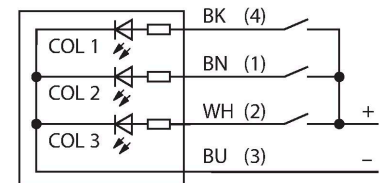
LED Indicator – Beacon



Features

- LED all-round visible
- Individually controllable
- Mechanical screw-in thread M18x1
- Protection classes IP67 / IP69K
- UV-resistant materials
- Current consumption per LED color: max. 25 mA
- Monochrome: Blue (COL 1)
- Cable with male end M12 x 1
- Operating voltage 10...30 VDC

Wiring diagram



Functional principle

These LED beacons in robust IP67/IP69K rated design are suited for indoor and outdoor areas. The plastic housing is UV-resistant. The light-emitting surface is visible at an angle of 180° relative to the installation surface. The unique, grey off state allows a good identification, even in sunlight. Depending on the connection, one of the three LED colors is on during the period of an input signal.

Technical data

Type	S18LBXXPQP
ID	3020991
Signal and display data	
Purpose	LED indicator light
Function	Spotlight
Light type	Blue
Dimmable	No
Features of color 1	Blue, Permanently on, 0.6 lm
Special features	Wash down
Electrical data	
Operating voltage	10...30 VDC
DC rated operational current	≤ 25 mA
Max. current consumption per color	25 mA
Input type	PNP
Response time typical	< 1 ms
Mechanical data	
Cascadable	No
Design	Threaded barrel, S18L
Dimensions	Ø 23.5 x 35.7 mm
Housing material	Plastic, PC, Black
Window material	Polycarbonate, diffuse
Electrical connection	Cable with connector, M12 × 1, 0.15 m, PVC
Number of cores	4
Ambient temperature	-40...+50 °C
Protection class	IP67 IP69

Technical data

Tests/approvals

Approvals CE, UL listed

Accessories

Dimension drawing	Type	ID	
	RKC4.4T-2/TEL	6625013	Connection cable, M12 female connector, straight, 4-pin, cable length: 2 m, jacket material: PVC, black; cULus approval
	WKC4.4T-2/TEL	6625025	Connection cable, M12 female connector, angled, 4-pin, cable length: 2 m, jacket material: PVC, black; cULus approval