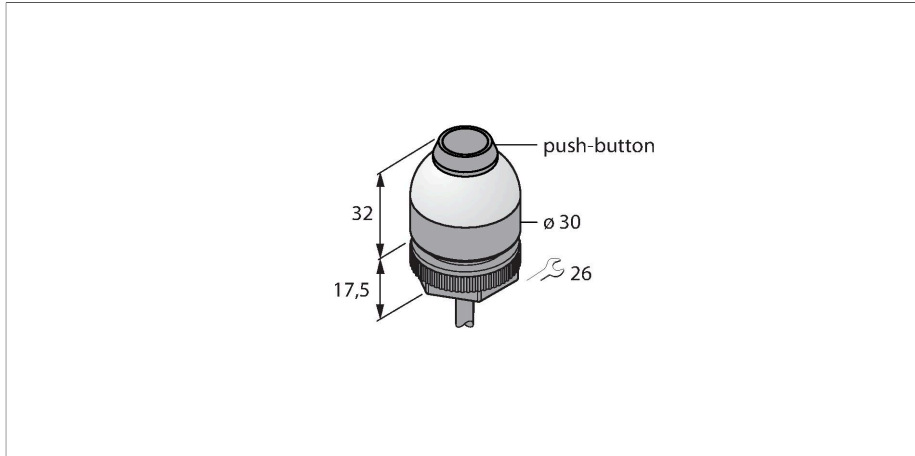


# K30LBXXPPB2

## LED Indicator – Beacon

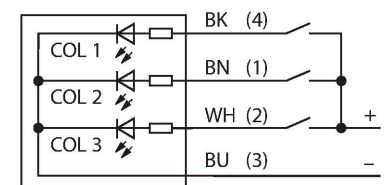
### With Integrated Button



### Features

- LED all-round visible
- Individually controllable
- Mechanical screw-in thread M22x1.5
- Protection class IP67
- Monochrome: Blue (COL 1)
- Cable 2 m
- Operating voltage 10...30 VDC

### Wiring diagram



### Technical data

Type	K30LBXXPPB2
ID	3025406
<b>Signal and display data</b>	
Purpose	LED indicator light
Function	Spotlight
Light type	Blue
LED service life (L70)	50000 h
Switch Function	Momentary
Dimmable	No
Features of color 1	Blue, Permanently on
<b>Electrical data</b>	
Operating voltage	10...30 VDC
DC rated operational current	≤ 25 mA
Max. current consumption per color	40 mA
Output function	NO contact, Potential-free
Input type	PNP
Response time typical	< 10 ms
<b>Mechanical data</b>	
Cascadable	No
Design	Dome, K30L
Dimensions	Ø 30 x 49.4 mm
Housing material	Plastic, PC Thermoplastic material, Black
Window material	Polycarbonate, diffuse
Electrical connection	Cable, 2 m, PVC
Number of cores	4

## Technical data

Ambient temperature	-40...+50 °C
Protection class	IP67
<b>Tests/approvals</b>	
MTTF	626 years acc. to SN 29500 (Ed. 99) 40 °C
Approvals	CE

## Accessories

SMB22A

3079414

Mounting bracket, stainless steel, for K30L series

