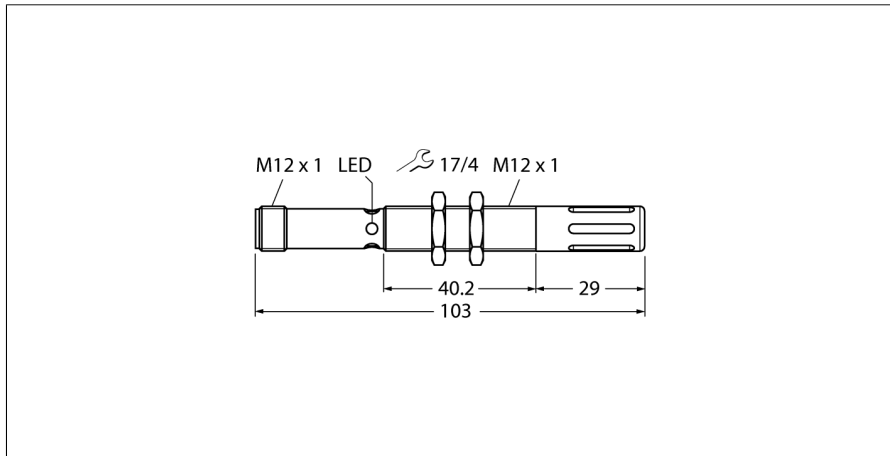
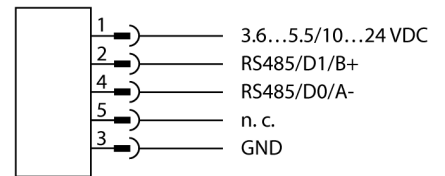


Temperature and Humidity Sensor With Serial Interface For Connecting to a DX80 Radio Node M12FTH4Q



- Rugged metal housing
- Ambient temperature: -40...+85 °C
- Protection class IP67
- Relative humidity: 0...100 %
- Resolution: 0.1 %
- Temperature measuring range: -40...+85 °C
- Resolution: 0.1 °C
- 1-Wire Serial Interface
- For connection to DX80 nodes
DX80N2X1S-P6 and DX80N2Q45TH

Wiring Diagram



Functional principle

This sturdy sensor in a metal housing was developed to monitor the temperatures and humidity of cooling chambers and storage rooms. The data can be transferred to a controller via the RS485 interface, thus ensuring prompt detection of exceeding or falling short of limit values. The slim housing is IP67-rated and allows temperatures to be recorded between -40 °C and +85 °C and from 0 % to 100 % relative humidity.

| | |
|-----------------------------|---------------------------|
| Type designation | M12FTH4Q |
| Ident no. | 3025895 |
| Function | Temperature sensor |
| Ambient temperature | -40...+85 °C |
| Operating voltage | 12...24 VDC |
| Short-circuit protection | yes/ Cyclic |
| Reverse polarity protection | yes |
| Design | Cylinder, threaded, M12FT |
| Dimensions | 103 mm |
| Housing material | Metal, Grey |
| Electrical connection | Connectors, M12 × 1 |
| Protection class | IP67 |
| Power-on indication | LED, Green |

**Temperature and Humidity Sensor
With Serial Interface
For Connecting to a DX80 Radio Node
M12FTH4Q**

Function accessories

| Type code | Ident no. | Description | Dimension drawing |
|--------------|-----------|--|-------------------|
| DX80N2X6S-P6 | 3095667 | DX80 nodes, 10...30 DC power supply, external antenna, protection class IP67, serial interface to connect a sensor | |
| DX80N2X1S-P6 | 3018657 | DX80 FlexPower nodes, internal battery supply, external antenna, protection class IP67, serial interface to connect a sensor | |
| DX80DR2M-H6 | 3014392 | DX80 Data Radio, internal battery supply, external antenna, protection class IP67, serial interface to connect a sensor, RS485 interface to communicate via Modbus RTU | |
| DX80N2Q45U | 3800203 | Q45 wireless sensor, internal battery supply, protection class IP67, serial interface to connect various sensors | |