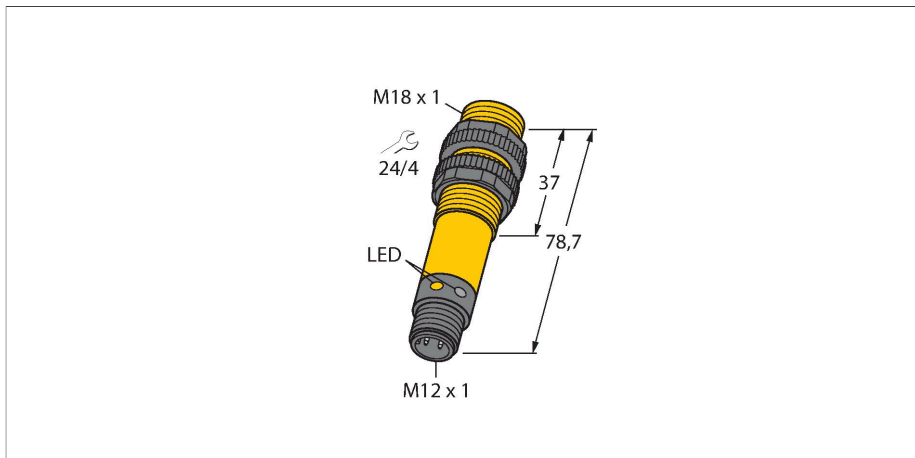


# S18SP6RQ

## Photoelectric Sensor – Opposed Mode Sensor (Receiver)



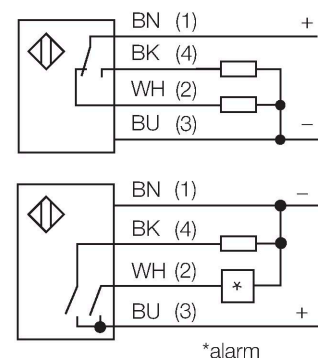
### Technical data

Type	S18SP6RQ
ID	3029510
<b>Optical data</b>	
Function	Opposed mode sensor
Operating mode	Receiver
Range	0...20000 mm
<b>Electrical data</b>	
Operating voltage	10...30 VDC
DC rated operational current	≤ 150 mA
No-load current	≤ 25 mA
Short-circuit protection	yes / Cyclic
Reverse polarity protection	yes
Output function	Connection programmable, PNP
Switching frequency	≤ 160 Hz
Readiness delay	≤ 100 ms
Response time typical	< 3 ms
Overcurrent release	> 220 mA
<b>Mechanical data</b>	
Design	Tube, S18
Dimensions	Ø 18 x 78.7 mm
Housing material	Plastic, Thermoplastic material
Lens	plastic, Polycarbonate
Electrical connection	Connector, M12 × 1, PVC
Number of cores	4
Ambient temperature	-40...+70 °C
Protection class	IP67 IP69

### Features

- M12 × 1 male connector, 4-pin
- Protection classes IP67/IP69K
- Ambient temperature: -40 °C...+70 °C
- Selectable light/dark operation or light operation with alarm function
- Operating voltage: 10...30 VDC
- PNP switching output, changeover

### Wiring diagram

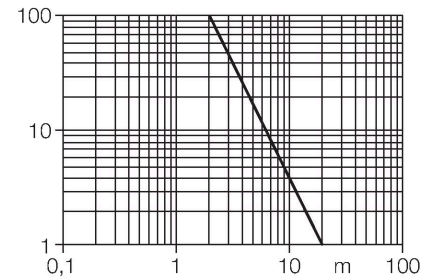


### Functional principle

Opposed mode sensors are composed of an emitter and a receiver, both separately housed. When installed, the emitter light should directly aim at the receiver. If an object interrupts or weakens the light beam, the sensor switches. Opposed mode sensors are the most reliable photoelectric sensors for detection of opaque targets. Large distance operation is possible due to an excellent light/dark contrast and an extremely high excess gain. Even in case of dirt build-up on the lens or misalignment the sensor type works reliably.

## Technical data

Special features	Encapsulated Wash down
Power-on indication	LED, Green
Switching state	LED, Yellow
Error indication	LED, green, Flashing
Excess gain indication	LED
Alarm display	LED yellow Flashing
Tests/approvals	
Approvals	CE, UL, CSA



## Accessories

<b>SMB18A</b> 	<b>3033200</b> Mounting bracket, rectangular, stainless steel, for sensors with 18 mm thread	<b>SMB18AFAM10</b> 	<b>3012558</b> Mounting bracket, material VA 1.4401, for M10 x 1.5 thread, thread length 18 mm
<b>SMB3018SC</b> 	<b>3053952</b> Mounting bracket, PTB black, for sensors with 18 mm thread	<b>SMBAMS18P</b> 	<b>3073134</b> Mounting bracket, stainless steel, for sensors with 18 mm thread

## Accessories

Dimension drawing	Type	ID	
	RKC4.4T-2/TEL	6625013	Connection cable, female M12, straight, 4-pin, cable length: 2 m, sheath material: PVC, black; cULus approval; other cable lengths and qualities available, see <a href="http://www.turck.com">www.turck.com</a>
	WKC4.4T-2/TEL	6625025	Connection cable, female M12, angled, 4-pin, cable length: 2 m, sheath material: PVC, black; cULus approval; other cable lengths and qualities available, see <a href="http://www.turck.com">www.turck.com</a>