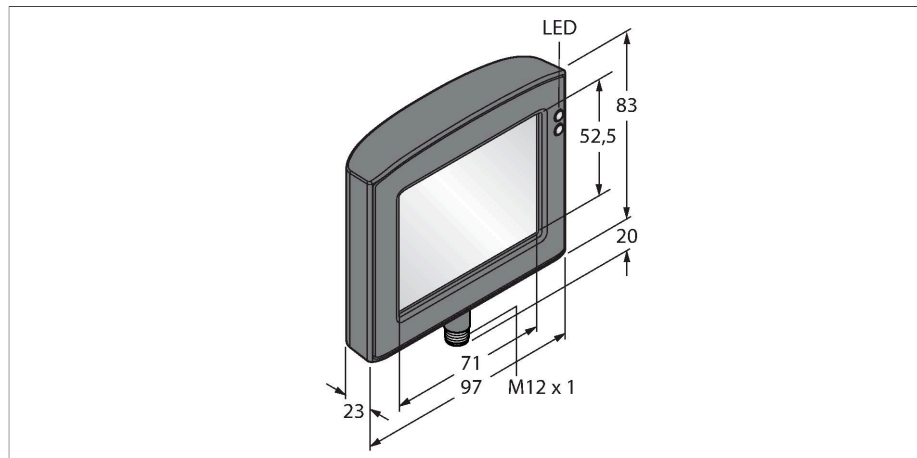


RDM35

Vision Systems – Touch Display



Features

- 3.5" screen diagonal
- Format: 4:3
- Resolution: 320 x 240 RGB

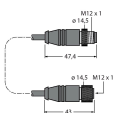
Functional principle

For applications in which vision sensors are hardly accessible to make adjustments, the remote display RD35 is the right solution. All adjustments can be made via a separate connection cable. The display is then simply removed from the docking station and can be used for communication with other remote iVu sensors; it can also be used for continuous control of hidden processes.

Technical data

| | |
|---------------------|-----------------|
| Type | RDM35 |
| ID | 3029512 |
| Power on display | LED, Green |
| Switching state | LED, Green |
| Error indication | LED, red |
| Dimensions | 24 x 98 x 83 mm |
| Housing material | Metal, CuZn |
| Ambient temperature | 0...+50 °C |
| Protection class | IP20 |

Accessories

| Dimension drawing | Type | ID | |
|---|---------------|---------|--|
|  | IVURDM-QD-803 | 3028673 | Extension cable for RDM35 remote display, M12 × 1, 8-pin, cable length: 0.91 m |