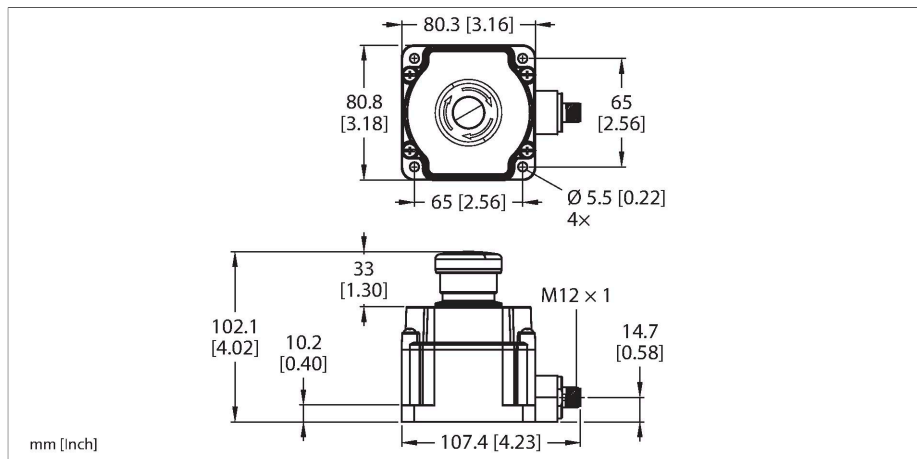


SSA-EB1PLYR-02ED1Q5B

Safety Technology – E-stop Button

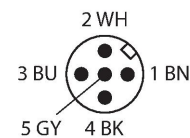
Illuminated



Features

- Protection class IP65
- Compatible with Siemens ET 200pro PROFI-safe gateway
- LED yellow/red (flashing)
- 2 safety outputs (NC, potential-free)
- M12 × 1 male connector, 5-pin

Wiring diagram



Functional principle

These electromechanical E-stop switches combine the functions of conventional switches with those of the EZ-LIGHTs. The color changes with the switching state. Local quitting of faults is possible at any time and a latch protects against unwanted quitting. The device is available as round or rectangular version. Both types are IP65 rated. Conventional types without light are also available as well as types for connection to the safety bus from Siemens or AB/ROCKWELL.

Technical data

Type	SSA-EB1PLYR-02ED1Q5B
ID	3030028
Function	E-stop button, lit
Light type	Red
Operating voltage	12...30 VDC
DC rated operational current	≤ 65 mA
Output function	2 x NC (normally closed), Potential-free
Contact rating	1.5A/250V AC-15, 1A/30V DC-13
Rated insulation voltage	250 V
Conventional thermal current	3 A
Impulse withstand voltage	2.5 kV
Insulation resistance	100 MΩ
Design	Rectangular
Dimensions	80.3 x 80.8 mm
Housing material	Plastic, PC
Mechanical lifespan	0,25 * 10 ⁶ Switching cycles
B10d value	0,1 * 10 ⁶ Switching cycles
Pollution degree	3
Cascadable	Yes
Electrical connection	Connector, M12 × 1
Ambient temperature	-25...+55 °C
Relative humidity	45...85 %
Protection class	IP65
Tests/approvals	
Vibration resistance	10 to 500 Hz, 0.35 mm amplitude, 50 g acceleration

Technical data

Shock resistance	15 g (11 ms)
Approvals	CE, cULus

Accessories

Dimension drawing	Type	ID	
	WKC4.5T-2/TEL	6625028	Connection cable, female M12, angled, 5-pin, cable length: 2 m, sheath material: PVC, black; cULus approval; other cable lengths and qualities available, see www.turck.com
	RKC4.5T-2/TEL	6625016	Connection cable, female M12, straight, 5-pin, cable length: 2 m, sheath material: PVC, black; cULus approval; other cable lengths and qualities available, see www.turck.com