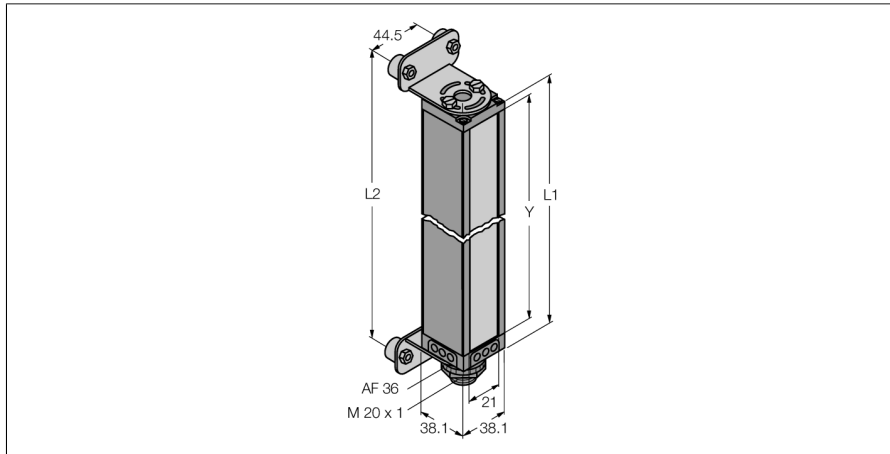


Measuring Light Screen Emitter BMEL7216A



| | |
|------------------------|-------------------------------|
| Type | BMEL7216A |
| ID | 3038551 |
| Optical data | |
| Function | Opposed mode sensor (emitter) |
| Operating mode | Emitter |
| Light type | IR |
| Wavelength | 880 nm |
| Optical resolution | 19 mm |
| Range | 900...14000 mm |
| Scan field | 1810 mm |
| Number of beams | 96 |
| Electrical data | |
| Operating voltage | 11.4...14 VDC |
| Mechanical data | |
| Design | Rectangular, Mini Array |
| Housing material | Metal, AL |
| Lens | plastic, Acrylic |
| Electrical connection | Connector, 7/8" |
| Ambient temperature | -20...+70 °C |
| Protection class | IP65 |
| Tests/approvals | |
| Approvals | CE |
| Approvals | CE |
| | cULus recognized |

- Minimum target size 19 mm
- Scan field 1819 mm
- Max. sensing range 14 m
- Operating voltage 11.8...12.2 VDC (from controller)
- Protection class IP65
- Adjustment via software

Functional principle

Measuring light screens are ideally suited for precise detection and inspection tasks such as product profiling, sizing, edge and centre guiding, hole and parts detection and the like. Each system consists of an emitter, receiver and a controller module, which is equipped with several switching and analogue outputs, depending on the specific version. The device also enables data transmission via RS232 or R485, either in a binary or ASCII code format. The scan times depend on the height of the measuring array and the adjusted scan mode. Detailed information can be taken from the instruction manual.