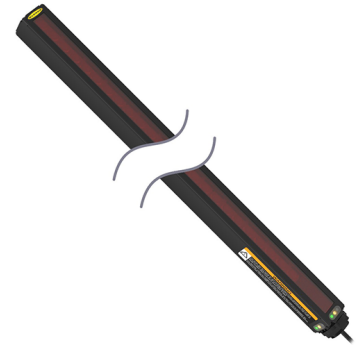
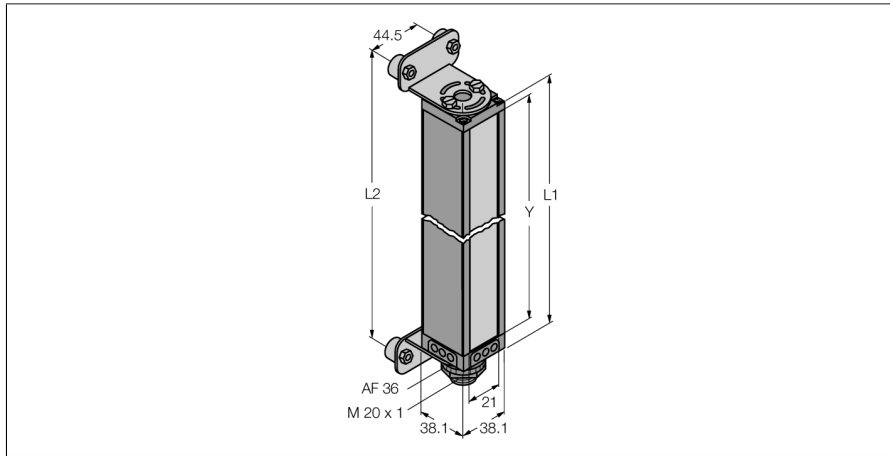


Measuring Light Screen Receiver BMRL7216A



Type	BMRL7216A
ID	3038552
Optical data	
Function	Opposed mode sensor (receiver)
Operating mode	Receiver
Optical resolution	19 mm
Range	900...14000 mm
Scan field	1810 mm
Number of beams	96
Electrical data	
Operating voltage	11.4...14 VDC
Mechanical data	
Design	Rectangular, Mini Array
Housing material	Metal, AL
Lens	plastic, Acrylic
Electrical connection	Connector, 7/8"
Ambient temperature	-20...+70 °C
Protection class	IP65
Tests/approvals	
Approvals	CE
Approvals	CE
	cULus recognized

- Minimum target size 19 mm
- Scan field 1819 mm
- Max. sensing range 14 m
- Operating voltage 11.8...12.2 VDC (from controller)
- Protection class IP65
- Adjustment via software

Functional principle

Measuring light screens are ideally suited for precise detection and inspection tasks such as product profiling, sizing, edge and centre guiding, hole and parts detection and the like. Each system consists of an emitter, receiver and a controller module, which is equipped with several switching and analogue outputs, depending on the specific version. The device also enables data transmission via RS232 or R485, either in a binary or ASCII code format. The scan times depend on the height of the measuring array and the adjusted scan mode. Detailed information can be taken from the instruction manual.