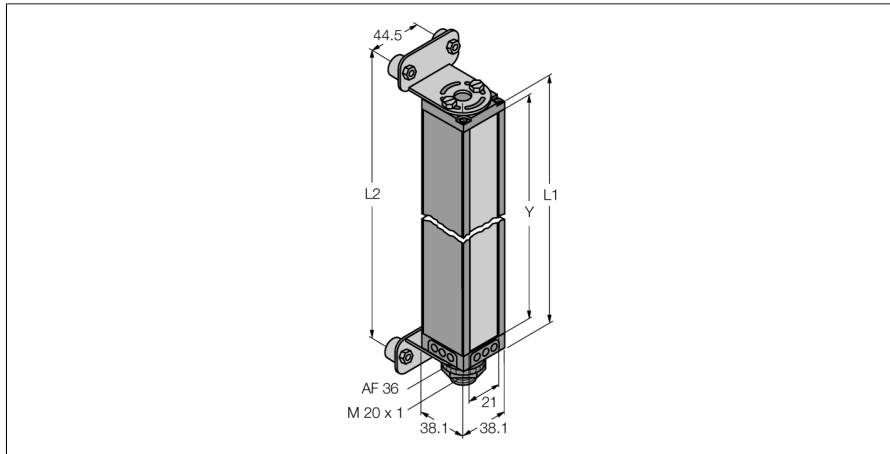


Measuring Light Screen Emitter BMEL1816A



Type	BMEL1816A
ID	3039574
Optical data	
Function	Opposed mode sensor (emitter)
Operating mode	Emitter
Light type	IR
Wavelength	880 nm
Optical resolution	19 mm
Range	900...17000 mm
Scan field	438 mm
Number of beams	24
Electrical data	
Operating voltage	11.4...14 VDC
Mechanical data	
Design	Rectangular, Mini Array
Housing material	Metal, AL
Lens	plastic, Acrylic
Electrical connection	Connector, 7/8"
Ambient temperature	-20...+70 °C
Protection class	IP65
Tests/approvals	
Approvals	CE
Approvals	CE
	cULus recognized

- Minimum target size 19 mm
- Scan field 448 mm
- Max. sensing range 17 m
- Operating voltage 11.8...12.2 VDC (from controller)
- Protection class IP65
- Adjustment via software

Functional principle

Measuring light screens are ideally suited for precise detection and inspection tasks such as product profiling, sizing, edge and centre guiding, hole and parts detection and the like. Each system consists of an emitter, receiver and a controller module, which is equipped with several switching and analogue outputs, depending on the specific version. The device also enables data transmission via RS232 or R485, either in a binary or ASCII code format. The scan times depend on the height of the measuring array and the adjusted scan mode. Detailed information can be taken from the instruction manual.