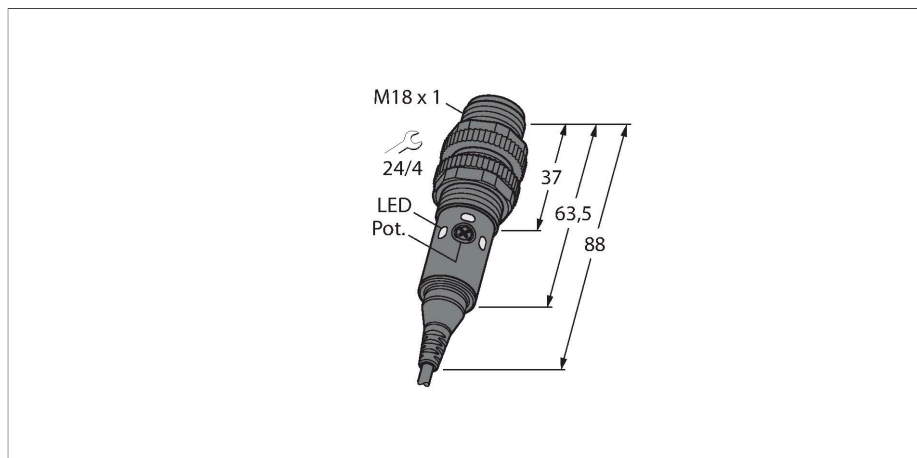


# S18-2VNDL-2M

## Photoelectric Sensor – Diffuse Mode Sensor



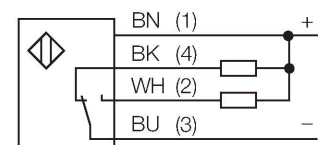
### Technical data

Type	S18-2VNDL-2M
ID	3042160
<b>Optical data</b>	
Function	Proximity switch
Operating mode	Diffuse
Light type	Red
Wavelength	624 nm
Range	1...750 mm
<b>Electrical data</b>	
Operating voltage	10...30 VDC
Residual ripple	< 10 % $U_{ss}$
No-load current	≤ 16 mA
Short-circuit protection	yes / Cyclic
Reverse polarity protection	yes
Output function	Complementary contact, NPN
Readiness delay	≤ 100 ms
Response time typical	< 1.5 ms
Setting option	Potentiometer
<b>Mechanical data</b>	
Design	Tube, S18
Dimensions	Ø 18 x 88 mm
Housing material	Plastic, Thermoplastic material
Lens	Acrylic
Electrical connection	Cable, 2 m, PVC
Number of cores	4
Core cross-section	0.5 mm <sup>2</sup>
Ambient temperature	-40...+70 °C

### Features

- Cable, 2 m
- Protection class IP67
- Ambient temperature: -40...+70 °C
- Sensitivity adjusted via potentiometer
- Visible red LED light
- Operating voltage: 10...30 VDC
- NPN switching output, changeover

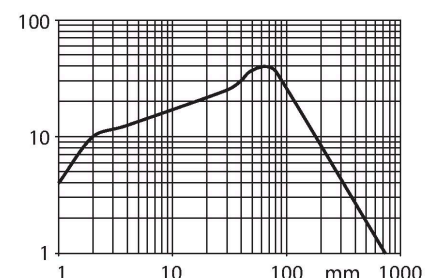
### Wiring diagram



### Functional principle

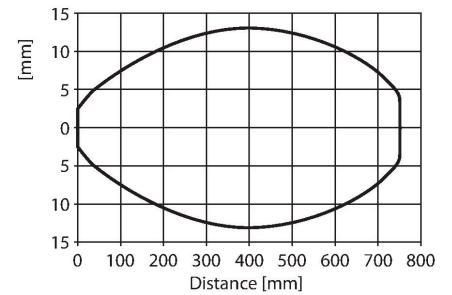
Emitter and receiver are incorporated in the same housing. The light reflected by the target is detected and causes the sensor to switch. The switching distance thereby depends largely on the reflectivity of the target.

### Excess Gain Curve

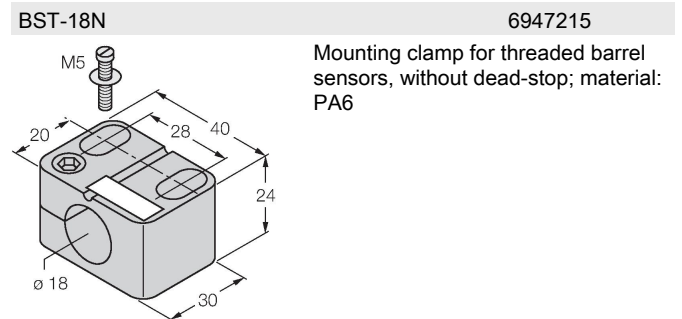
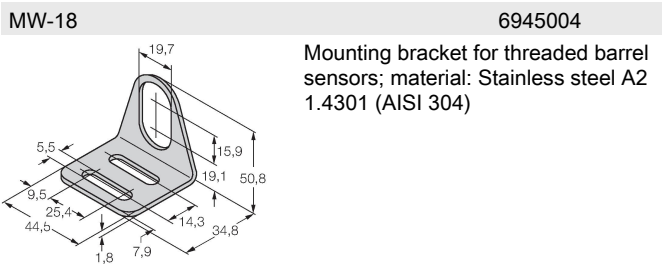


## Technical data

Protection class	IP67
Power-on indication	LED, Green
Switching state	2 × LEDs, Yellow
Error indication	Flashing
Excess gain indication	LED
Alarm display	Flashing
<b>Tests/approvals</b>	
Approvals	CE



## Accessories



## Accessories

Dimension drawing	Type	ID	
	RKC4.5T-2/TEL	6625016	Connection cable, female M12, straight, 5-pin, cable length: 2 m, sheath material: PVC, black; cULus approval; other cable lengths and qualities available, see <a href="http://www.turck.com">www.turck.com</a>
	WKC4.5T-2/TEL	6625028	Connection cable, female M12, angled, 5-pin, cable length: 2 m, sheath material: PVC, black; cULus approval; other cable lengths and qualities available, see <a href="http://www.turck.com">www.turck.com</a>