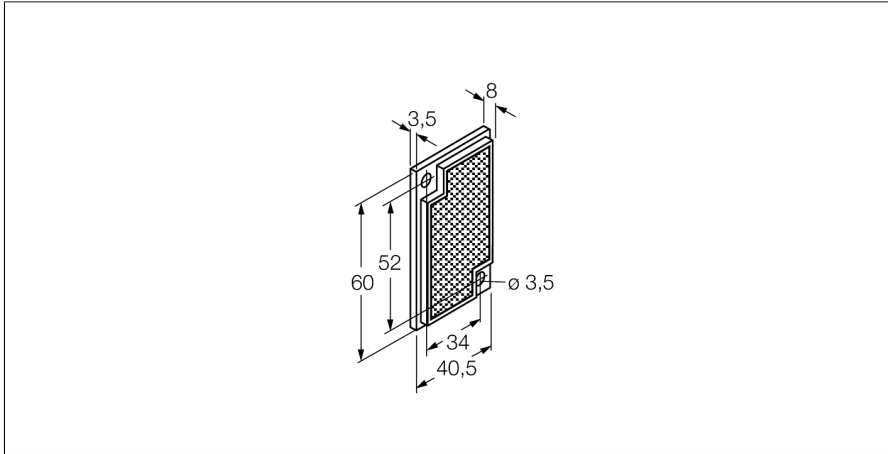


Accessories

Reflector

BRT-60X40C



- Rectangular design
- Reflective area 0.45
- Reflection coefficient 1.4
- (Reference BRT-3)

Functional principle

Retro-reflective sensors incorporate emitter and receiver in a single compact housing. The light beam of the emitter is directed towards a reflector which returns the light back to the receiver. An object is detected when it interrupts this beam. Retro-reflective sensors have a high function gain and good contrast performance. Further it is merely required to install and wire a single device.

| | |
|------|------------|
| Type | BRT-60X40C |
| ID | 3044997 |

| | |
|---------------------|------------------|
| Design | Rectangular |
| Lens | plastic, Acrylic |
| Ambient temperature | -20...+50 °C |