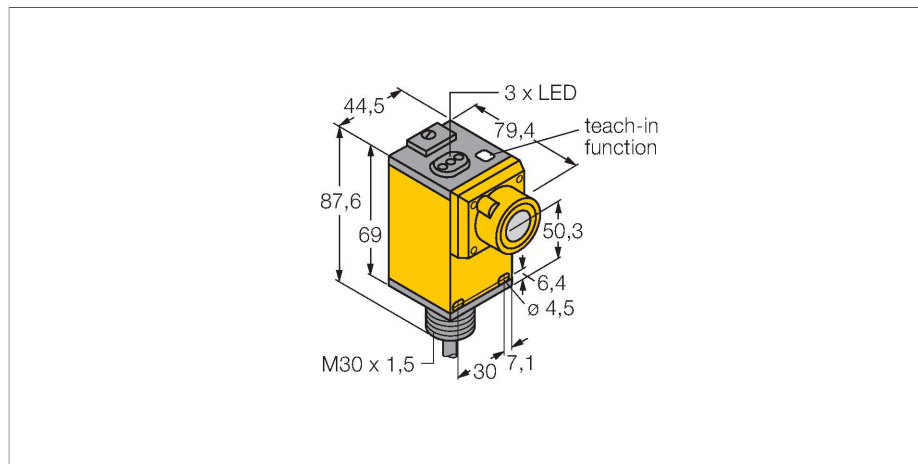


Q45ULIU64BCR

Ultrasonic Sensor – diffuse mode sensor

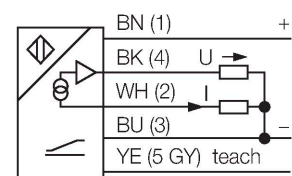
With Analog Output



Features

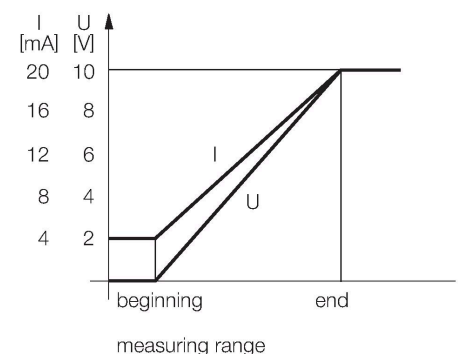
- Measuring range adjustable via teach button or control line
- Response time, adjustable
- Analog output can be used for voltage or current
- Teach-in function
- Convertible output curves
- Aperture angle of sonic cone 12 °
- Blind zone: 25 cm
- Range: 300 cm

Wiring diagram



Functional principle

Ultrasonic sensors detect a multitude of objects contactless and wear-free with ultrasonic waves. Regardless of whether the object is transparent or opaque, metallic or non-metallic, liquid, solid or powdery. Even environmental conditions such as spray, dust or rain hardly affect their function.



Technical data

Type	Q45ULIU64BCR
ID	3047555
Ultrasonic data	
Function	Proximity switch
Range	250...3000 mm
Ultrasound frequency	128 kHz
Repeatability	≤ ± 1 mm
Temperature drift	≤ 0.13 % of full scale/K
Electrical data	
Operating voltage	12...24 VDC
Load resistance	≤ 500 Ω
Response time typical	< 80 ms
Output function	Analog output
Current output	4...20 mA
Voltage output	0...10 V
Short-circuit protection	yes / Cyclic
Reverse polarity protection	Complete
Mechanical data	
Design	Rectangular, Q45
Radiation direction	straight
Dimensions	79.4 x 44.5 x 87.6 mm
Housing material	Plastic, PBT
Transducer material	Plastic, Epoxyd resin and PU foam
Electrical connection	Cable, 2 m, PVC
Ambient temperature	-25...+70 °C

Technical data

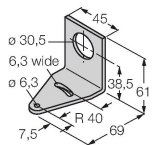
Relative humidity	100 %
Protection class	IP67
Object detected	LED, Yellow
Tests/approvals	
MTTF	50 years acc. to SN 29500 (Ed. 99) 40 °C
Approvals	CE

Accessories

SMB30A

3032723

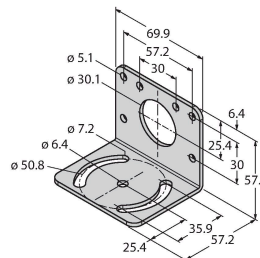
Mounting bracket, rectangular, stainless steel, for sensors with 30mm thread



SMB30MM

3027162

Mounting bracket, rectangular, stainless steel, for sensors with 30 mm thread, wide holes for accurate alignment



SMB30SC

3052521

Mounting bracket, PBT black, for sensors with 30 mm thread, rotatable

