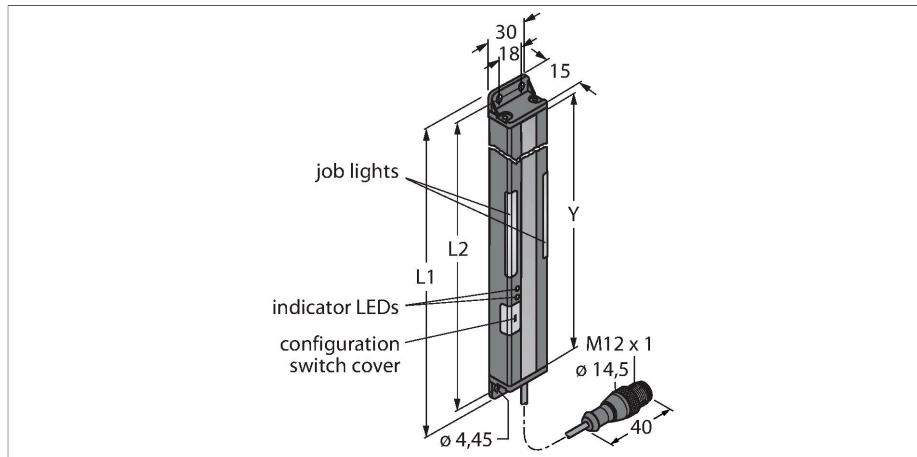


PVA300N6RQ

Pick-to-Light – Placement Sensor

Light Grid



Features

- Scan field Y: 300 mm
- Total height 341.4 mm
- 13-beam system, beam spacing 25 mm
- Receiver
- Range max. 2 m
- Light / Dark operation
- Selectable frequency as protection against crosstalk
- Operating voltage 12...30 VDC
- NPN switching output of the receiver
- Input of operation request light +24 VDC
- Protection class IP62

Functional principle

This light screen used for fault detection and assembly sequences, has good visible job lights at the emitter and the receiver, guiding the operator through the picking sequence. Missing parts and incorrect assembly are thus avoided. A control unit issues the work sequence and indicates the next work step after receiving feedback from the light screen. Misspick is immediately detected and indicated by a red flashing light.

Technical data

Type	PVA300N6RQ
ID	3051923
Signal and display data	
Purpose	Pick-to-Light
Function	Opposed mode sensor
Max. range	2000 mm
Scan field	300 mm
Number of beams	13
Optical resolution	25 mm
Switch Function	Momentary
Features of color 1	Green, Can be set via DIP switches
Electrical data	
Operating voltage	12...30 VDC
Max. current consumption per color	62 mA
Output function	NO/NC, NPN
Input type	Bipolar (PNP/NPN)22
Response time typical	< 52 ms
Mechanical data	
Design	Rectangular, PVA
Dimensions	341.4 x 30 x 15 mm
Housing material	Metal, AL, Black
Window material	Acrylic, clear
Electrical connection	Cable with connector, M12 x 1, 2 m, PVC
Number of cores	4
Ambient temperature	0...+50 °C

Technical data

Protection class IP62

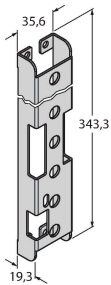
Tests/approvals

Approvals CE, cURus

Accessories

SMBPVA13

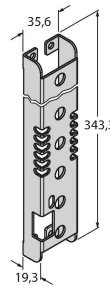
3056810



Mounting bracket, for PVA300, cold-rolled steel, cut-out for DIP switch block

SMBPVA13A

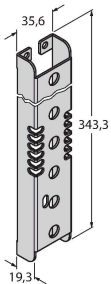
3062448



Mounting bracket, for PVA300, cold-rolled steel, cut-out for DIP switch block, protection for light

SMBPVA13AB

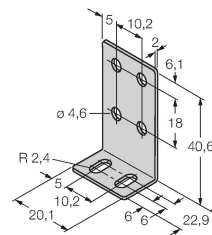
3070807



Mounting bracket, for PVA300, cold-rolled steel, no cut-out for DIP switch block, protection for light

SMBPVA1

3056884



Mounting bracket, for PVA and PVD, stainless steel; set consisting of two brackets and screws

Accessories

Dimension drawing

Type

ID

RKC4.4T-2/TEL

6625013

Connection cable, M12 female connector, straight, 4-pin, cable length: 2 m, jacket material: PVC, black; cULus approval



WKC4.4T-2/TEL

6625025

Connection cable, M12 female connector, angled, 4-pin, cable length: 2 m, jacket material: PVC, black; cULus approval

