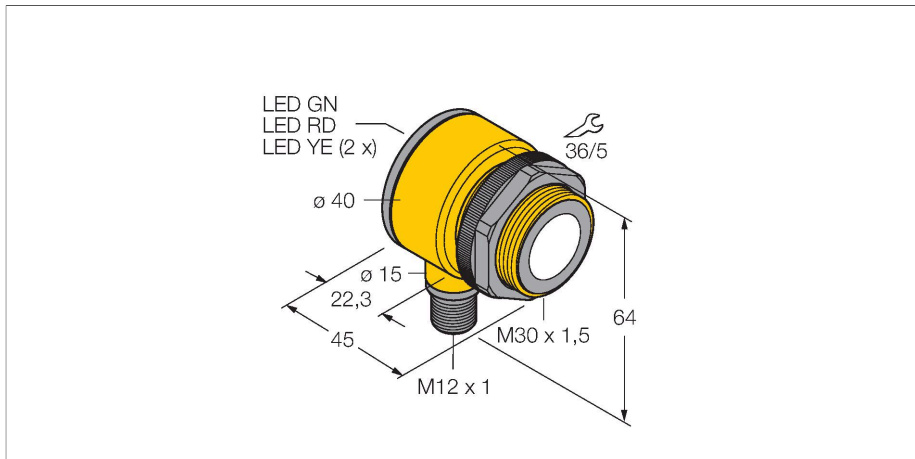


T30UDPAQ

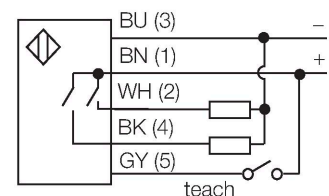
Ultrasonic Sensor – diffuse mode sensor With Switching Outputs



Features

- Compact design
- Connection via male M12 x 1
- Operating voltage 12...24 VDC
- Two PNP transistor outputs
- Two independent switching ranges adjustable via button or control line
- Blind zone: 15 cm
- Range: 100 cm

Wiring diagram



Functional principle

Ultrasonic sensors detect a multitude of objects contactless and wear-free with ultrasonic waves. Regardless of whether the object is transparent or opaque, metallic or non-metallic, liquid, solid or powdery. Even environmental conditions such as spray, dust or rain hardly affect their function.

Technical data

| | |
|--------------------------------|------------------------------|
| Type | T30UDPAQ |
| ID | 3055545 |
| Ultrasonic data | |
| Function | Proximity switch |
| Range | 150...1000 mm |
| Ultrasound frequency | 228 kHz |
| Repeatability | ≤ ± 0.375 mm |
| Temperature drift | ≤ 0.17 % of full scale/K |
| Electrical data | |
| Operating voltage | 12...24 VDC |
| DC rated operational current | ≤ 150 mA |
| No-load current | ≤ 50 mA |
| Response time typical | < 48 ms |
| Output function | 2 normally open contact, PNP |
| Switching frequency | ≤ 20 Hz |
| Hysteresis | ≤ 2.5 mm |
| Voltage drop at I _a | ≤ 1.5 V |
| Short-circuit protection | yes / Cyclic |
| Reverse polarity protection | Complete |
| Wire breakage protection | yes |
| Mechanical data | |
| Design | Tube, T30U |
| Radiation direction | straight |
| Dimensions | Ø 40 x 45 mm |
| Housing material | Plastic, PBT |

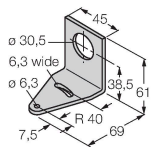
Technical data

| | |
|------------------------|---|
| Transducer material | Plastic, Epoxyd resin and PU foam |
| Electrical connection | Connector, M12 × 1, PVC |
| Ambient temperature | -20...+70 °C |
| Relative humidity | 100 % |
| Protection class | IP67 |
| Power-on indication | LED |
| Switching state | LED, Yellow |
| Object detected | LED |
| Tests/approvals | |
| MTTF | 246 years acc. to SN 29500 (Ed. 99) 40 °C |
| Approvals | CE |

Accessories

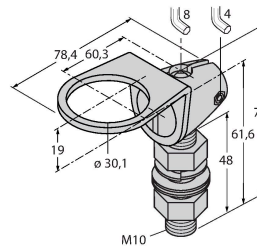
SMB30A 3032723

Mounting bracket, rectangular, stainless steel, for sensors with 30mm thread



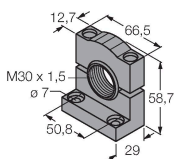
SMB30FAM10 3011185

Mounting bracket, stainless steel, for M10 x 1.5 thread, thread length 30 mm



SMB30SC 3052521

Mounting bracket, PBT black, for sensors with 30 mm thread, rotatable

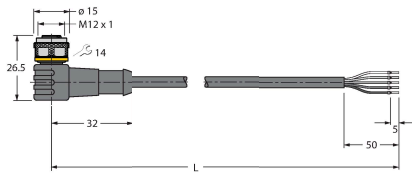


Accessories

| Dimension drawing | Type | ID | |
|-------------------|---------------|---------|---|
| | RKC4.5T-2/TEL | 6625016 | Connection cable, M12 female connector, straight, 5-pin, cable length: 2 m, jacket material: PVC, black; cULus approval |



| Dimension drawing | Type | ID | |
|-------------------|------|----|--|
|-------------------|------|----|--|



WKC4.5T-2/TEL

6625028

Connection cable, M12 female connector, angled, 5-pin, cable length: 2 m, jacket material: PVC, black; cULus approval