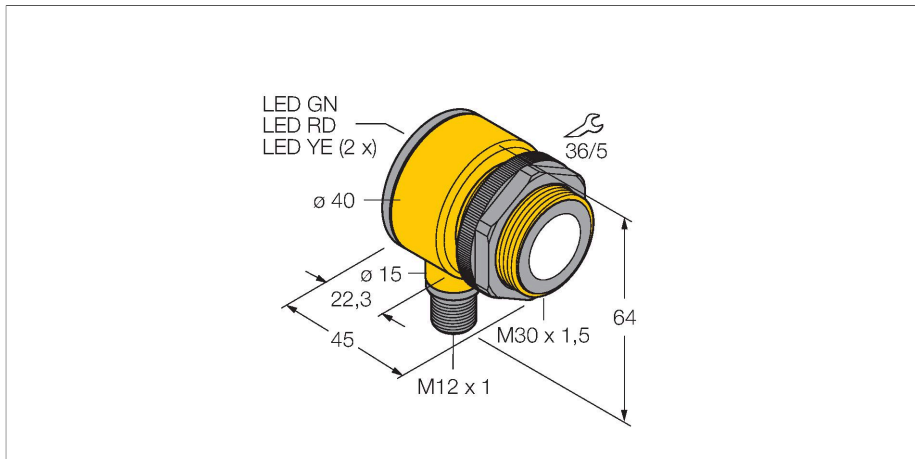


# T30UDPBQ

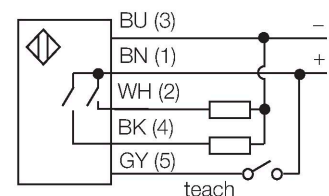
## Ultrasonic Sensor – diffuse mode sensor With Switching Outputs



### Features

- Compact design
- Connection via male M12 x 1
- Operating voltage 12...24 VDC
- Two PNP transistor outputs
- Two independent switching ranges adjustable via button or control line
- Blind zone: 30 cm
- Range: 200 cm

### Wiring diagram



### Functional principle

Ultrasonic sensors detect a multitude of objects contactless and wear-free with ultrasonic waves. Regardless of whether the object is transparent or opaque, metallic or non-metallic, liquid, solid or powdery. Even environmental conditions such as spray, dust or rain hardly affect their function.

### Technical data

Type	T30UDPBQ
ID	3055551
<b>Ultrasonic data</b>	
Function	Proximity switch
Range	300...2000 mm
Ultrasound frequency	128 kHz
Repeatability	≤ ± 0.75 mm
Temperature drift	≤ 0.17 % of full scale/K
<b>Electrical data</b>	
Operating voltage	12...24 VDC
DC rated operational current	≤ 150 mA
No-load current	≤ 50 mA
Response time typical	< 96 ms
Output function	2 normally open contact, PNP
Switching frequency	≤ 10 Hz
Hysteresis	≤ 2.5 mm
Voltage drop at I <sub>a</sub>	≤ 1.5 V
Short-circuit protection	yes / Cyclic
Reverse polarity protection	Complete
Wire breakage protection	yes
<b>Mechanical data</b>	
Design	Tube, T30U
Radiation direction	straight
Dimensions	Ø 40 x 45 mm
Housing material	Plastic, PBT

## Technical data

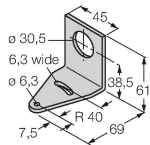
Transducer material	Plastic, Epoxyd resin and PU foam
Electrical connection	Connector, M12 × 1, PVC
Ambient temperature	-20...+70 °C
Relative humidity	100 %
Protection class	IP67
Power-on indication	LED
Switching state	LED, Yellow
Object detected	LED
<b>Tests/approvals</b>	
MTTF	246 years acc. to SN 29500 (Ed. 99) 40 °C
Approvals	CE

## Accessories

SMB30A

3032723

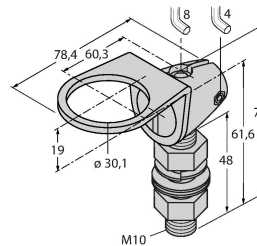
Mounting bracket, rectangular, stainless steel, for sensors with 30mm thread



SMB30FAM10

3011185

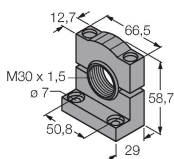
Mounting bracket, stainless steel, for M10 x 1.5 thread, thread length 30 mm



SMB30SC

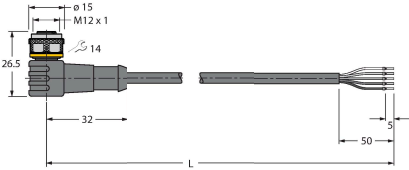
3052521

Mounting bracket, PBT black, for sensors with 30 mm thread, rotatable



## Accessories

Dimension drawing	Type	ID	
	RKC4.5T-2/TEL	6625016	Connection cable, M12 female connector, straight, 5-pin, cable length: 2 m, jacket material: PVC, black; cULus approval

Dimension drawing	Type	ID	
	WKC4.5T-2/TEL	6625028	Connection cable, M12 female connector, angled, 5-pin, cable length: 2 m, jacket material: PVC, black; cULus approval