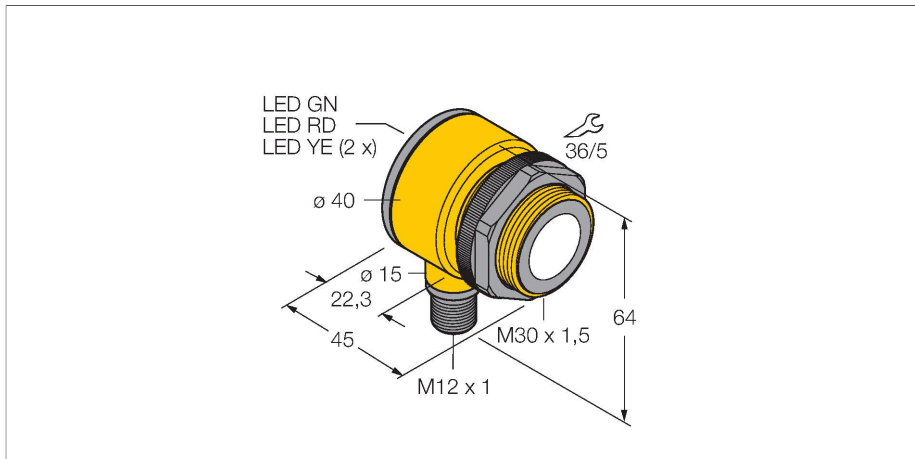


T30UIPAQ

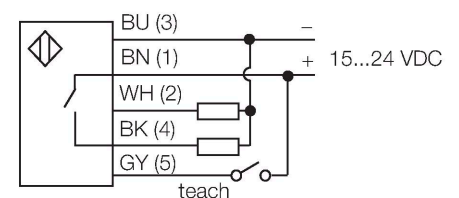
Ultrasonic Sensor – diffuse mode sensor With Analog Output



Features

- Compact design
- Connection via male M12 x 1
- Operating voltage 15...24 VDC
- PNP transistor output and analog output for current
- Measuring range adjustable via teach-in
- Blind zone: 15 cm
- Range: 100 cm

Wiring diagram



Functional principle

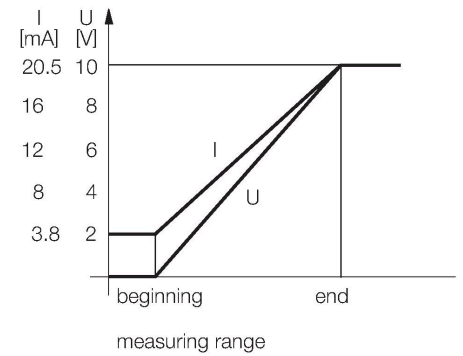
Ultrasonic sensors detect a multitude of objects contactless and wear-free with ultrasonic waves. Regardless of whether the object is transparent or opaque, metallic or non-metallic, liquid, solid or powdery. Even environmental conditions such as spray, dust or rain hardly affect their function.

Technical data

Type	T30UIPAQ
ID	3055975
Ultrasonic data	
Function	Proximity switch
Range	150...1000 mm
Ultrasound frequency	228 kHz
Repeatability	≤ ± 0.375 mm
Temperature drift	≤ 0.2 % of full scale/K
Electrical data	
Operating voltage	15...24 VDC
DC rated operational current	≤ 150 mA
No-load current	≤ 50 mA
Response time typical	< 48 ms
Output function	NO contact, PNP/Analog output
Current output	4...20 mA
Switching frequency	≤ 20 Hz
Hysteresis	≤ 2.5 mm
Voltage drop at I _o	≤ 1.5 V
Short-circuit protection	yes / Cyclic
Reverse polarity protection	Complete
Wire breakage protection	yes
Mechanical data	
Design	Tube, T30U
Radiation direction	straight
Dimensions	Ø 40 x 45 mm

Technical data

Housing material	Plastic, PBT
Transducer material	Plastic, Epoxyd resin and PU foam
Electrical connection	Connector, M12 × 1, PVC
Ambient temperature	-20...+70 °C
Relative humidity	100 %
Protection class	IP67
Power-on indication	LED
Switching state	LED, Yellow
Object detected	LED, Red
Tests/approvals	
MTTF	246 years acc. to SN 29500 (Ed. 99) 40 °C
Approvals	CE

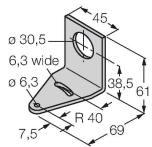


Accessories

SMB30A

3032723

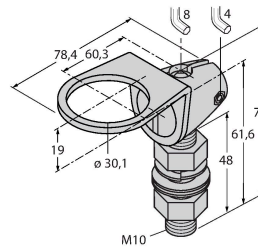
Mounting bracket, rectangular, stainless steel, for sensors with 30mm thread



SMB30FAM10

3011185

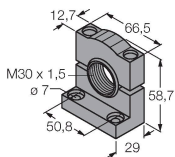
Mounting bracket, stainless steel, for M10 x 1.5 thread, thread length 30 mm



SMB30SC

3052521

Mounting bracket, PBT black, for sensors with 30 mm thread, rotatable



Accessories

Dimension drawing

Type

ID

RKC4.5T-2/TEL

6625016

Connection cable, M12 female connector, straight, 5-pin, cable length: 2 m, jacket material: PVC, black; cULus approval



Dimension drawing	Type	ID	
	WKC4.5T-2/TEL	6625028	Connection cable, M12 female connector, angled, 5-pin, cable length: 2 m, jacket material: PVC, black; cULus approval
	RKS4.5T-2/TEL	6626361	Connection cable, M12 female connector, straight, 5-pin, cable length: 2 m, jacket material: PVC, black; shielded; cULus approval
	WKS4.5T-2/TEL	6626364	Connection cable, M12 female connector, angled, 5-pin, cable length: 2 m, jacket material: PVC, black; shielded; cULus approval