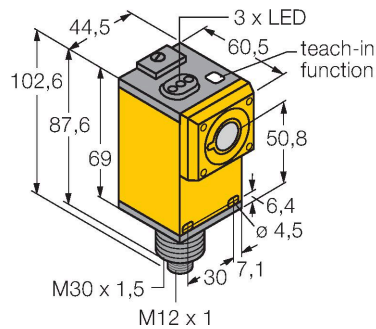


Q45UR3LIU64CQ6KS

Ultrasonic Sensor – diffuse mode sensor

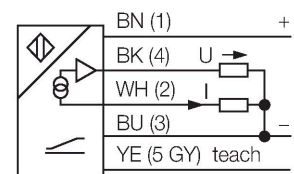
With Analog Output



Features

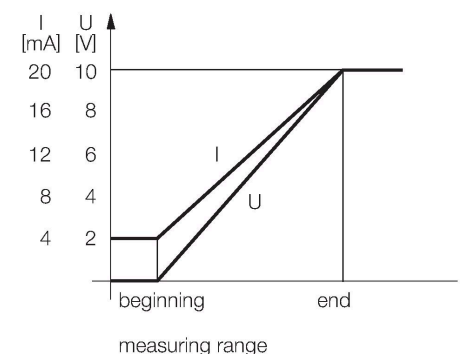
- Measuring range adjustable via teach button or control line
- Response time, adjustable
- Analog output can be used for voltage or current
- Teach-in function
- Convertible output curves
- Aperture angle of sonic cone 15 °
- Blind zone: 5 cm
- Range: 25 cm

Wiring diagram



Functional principle

Ultrasonic sensors detect a multitude of objects contactless and wear-free with ultrasonic waves. Regardless of whether the object is transparent or opaque, metallic or non-metallic, liquid, solid or powdery. Even environmental conditions such as spray, dust or rain hardly affect their function.



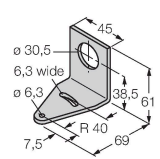
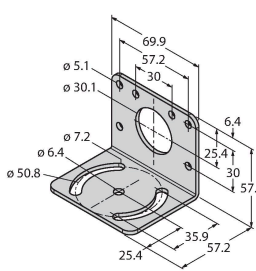
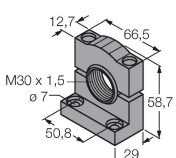
Technical data

Type	Q45UR3LIU64CQ6KS
ID	3059436
Ultrasonic data	
Function	Proximity switch
Range	50...250 mm
Ultrasound frequency	400 kHz
Repeatability	≤ ± 1 mm
Temperature drift	≤ 0.13 % of full scale/K
Electrical data	
Operating voltage	12...24 VDC
Load resistance	≤ 500 Ω
Response time typical	< 10 ms
Output function	Analog output
Current output	4...20 mA
Voltage output	0...10 V
Short-circuit protection	yes / Cyclic
Reverse polarity protection	Complete
Mechanical data	
Design	Rectangular, Q45
Radiation direction	straight
Dimensions	60.5 x 44.5 x 102.6 mm
Housing material	Plastic, Thermoplastic polyester
Transducer material	Plastic, Epoxyd resin and PU foam
Electrical connection	Connector, M12 × 1, PVC
Ambient temperature	-25...+70 °C

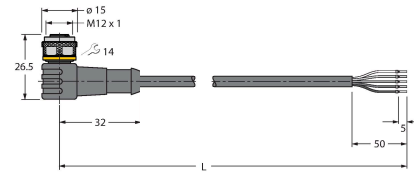
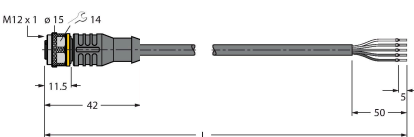
Technical data

Relative humidity	85 %
Protection class	IP67
Object detected	LED, Yellow
Tests/approvals	
MTTF	50 years acc. to SN 29500 (Ed. 99) 40 °C
Approvals	CE

Accessories

SMB30A	3032723	Mounting bracket, rectangular, stainless steel, for sensors with 30mm thread	SMB30MM	3027162	Mounting bracket, rectangular, stainless steel, for sensors with 30 mm thread, wide holes for accurate alignment
					
SMB30SC	3052521	Mounting bracket, PBT black, for sensors with 30 mm thread, rotatable			
					

Accessories

Dimension drawing	Type	ID	
	WKC4.5T-2/TEL	6625028	Connection cable, M12 female connector, angled, 5-pin, cable length: 2 m, jacket material: PVC, black; cULus approval
	RKC4.5T-2/TEL	6625016	Connection cable, M12 female connector, straight, 5-pin, cable length: 2 m, jacket material: PVC, black; cULus approval

Accessories

Dimension drawing	Type	ID
	M18C2.0	3053022
	Q13C2.0	3059424
	S18C2.0	3056827