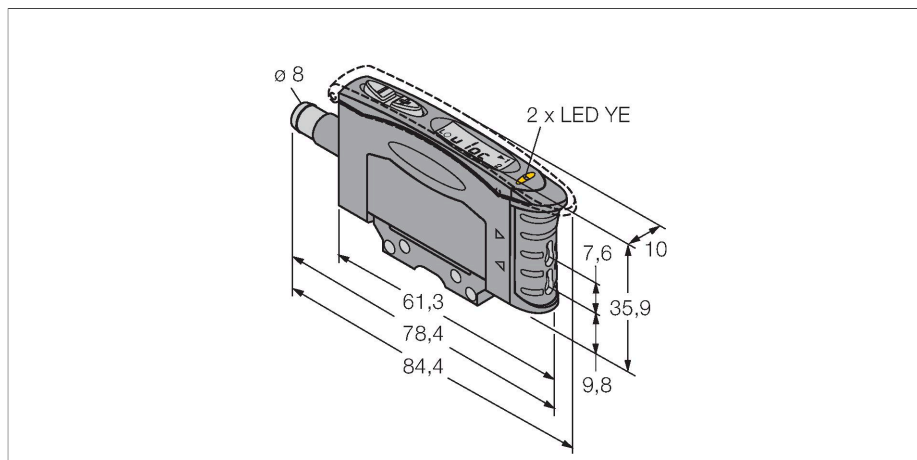


D10INFPQ

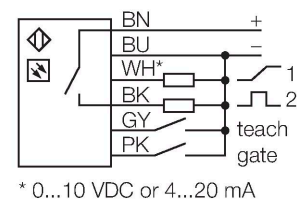
Photoelectric Sensor – Photoelectric Sensor for Plastic Fibers



Features

- Male 8 mm, 6-pin, snap-lock
- Teaching function
- Response time, adjustable
- Red visible light
- Operating voltage 12...24 VDC
- Optical sensitivity, adjustable
- Switch-off delay (0...100 ms)

Wiring diagram



Functional principle

Glass or fibre optic sensors are the optimum choice for high temperature or space restricted applications. Fibre optics transfer the light from the sensor to a remote object. Individual fibre optics are used for opposed mode sensing, whereas bifurcated fibre optics are suited for diffuse mode operation.

Technical data

Type	D10INFPQ
ID	3062386
Optical data	
Function	Fiber optic sensor
Operating mode	Plastic fiber
Fiber-optic type	plastic
Light type	Red
Wavelength	680 nm
Electrical data	
Operating voltage	12...24 VDC
Residual ripple	< 10 % U _{ss}
No-load current	≤ 65 mA
Short-circuit protection	yes
Reverse polarity protection	yes
Output function	NO contact, NPN
Output 2	Analog current
Type of analog output	4...20 mA
Current output	4...20 mA
Switching frequency	10 kHz
Readiness delay	≤ 1000 ms
Response time typical	< 0.05 ms
Setting option	Push Button Remote Teach
Mechanical data	
Design	Rectangular, D10
Dimensions	84.4 x 10.5 x 35.9 mm
Housing material	Plastic, Thermoplastic material

Technical data

Electrical connection	Connector, M8 × 1, PVC
Number of cores	6
Ambient temperature	-10...+55 °C
Relative humidity	0...90 %
Protection class	IP50
Special features	keep/defer
Power-on indication	LED, Green
Switching state	LED, Yellow
Excess gain indication	Single Digital Display
Tests/approvals	
Approvals	CE, cURus

Accessories

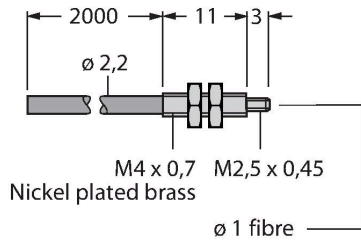
SMBR55F01	3067104	SMBR55FRA	3058809
	Mounting panel, PBT, black, for R55F series, wall mounting		Mounting bracket, 19-ga. stainless steel, for D10, DF-G1 and R55F series, lateral wall mounting
DIN-35-70	3026604	DIN-35-105	3030470
	DIN rail, width 35 mm, length 70 mm		DIN rail, width 35 mm, length 105 mm
DIN-35-140	3026605		
	DIN rail, width 35 mm, length 140 mm		

Accessories

Dimension drawing	Type	ID	
	PKG6Z-2	3062985	Connection cable, PVC, length 2 m, with female end, M8 x 1, 6-pin, on open end; other cable lengths and variants available, see www.turck.com
	PKW6Z-2	3062998	Connection cable, PVC, length 2 m, with female end, angled, M8 x 1, 6-pin, on open end; other cable lengths and variants available, see www.turck.com

Accessories

Dimension drawing	Type	ID	
	PIT46U	3026034	Plastic fiber-optic sensor, operating mode: Opposed mode, threaded sleeve M3 x 0.5 mm, field wireable wire without end tip, polyethylene sheath, ambient temperatures -30 °C...+70 °C



PBT46U

3025967

Plastic fiber-optic sensor, operating mode: Diffuse mode, threaded sleeve M3 x 0.75 mm, field wireable wire without end tip, polyethylene sheath, ambient temperatures -30 °C...+70 °C

