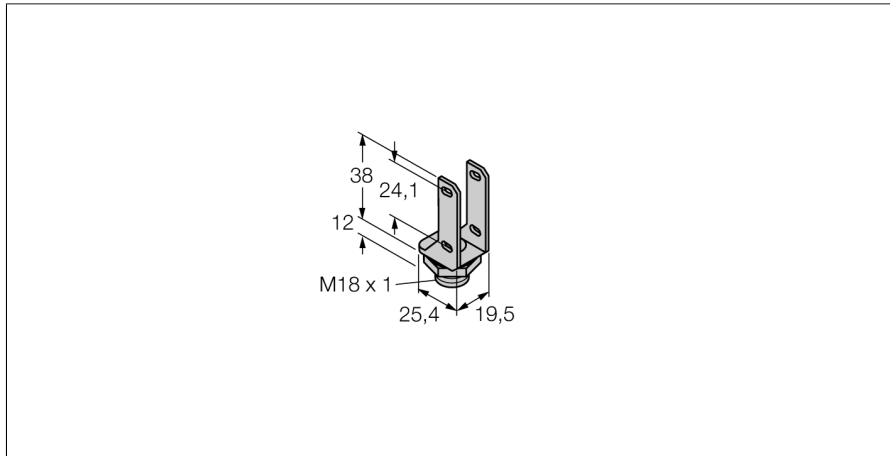


Accessories

Protective Housing

SMBQS18Y



- Mounting bracket
- For QS18
- For QS18

Type	SMBQS18Y
ID	3068865
Design	Accessories for rectangular sensor, SMBQS18Y
Housing material	Stainless steel, 1.4401 (AISI 316)