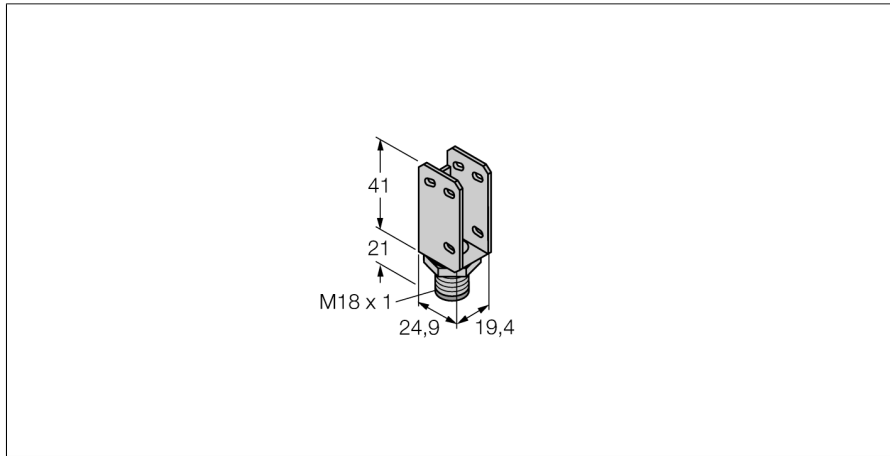


Accessories

Mounting Bracket

SMBQS18A



- Mounting bracket
- For QS18

Type	SMBQS18A
ID	3069721
Design	Accessories for threaded barrel, SMBQS18A
Housing material	Stainless steel, 1.4401 (AISI 316)