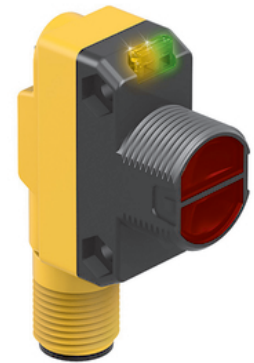
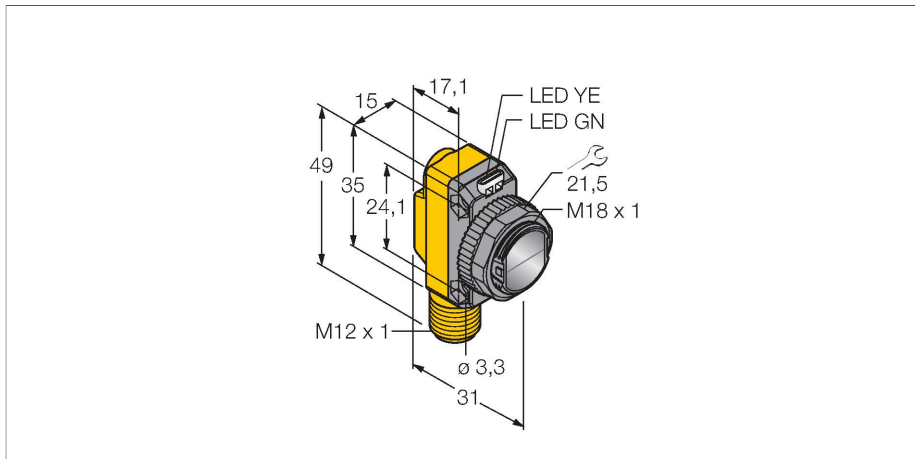


# QS18VN6FF100Q8

## Photoelectric Sensor – Diffuse Mode Sensor with Fixed-Field Background Suppression



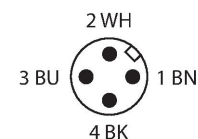
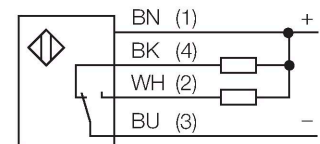
### Technical data

Type	QS18VN6FF100Q8
ID	3071878
<b>Optical data</b>	
Function	Proximity switch
Operating mode	Background suppression, non-adjustable
Light type	Red
Wavelength	630 nm
Range	0...100 mm
<b>Electrical data</b>	
Operating voltage	10...30 VDC
Residual ripple	< 10 % U <sub>ss</sub>
DC rated operational current	≤ 100 mA
Short-circuit protection	yes
Reverse polarity protection	yes
Output function	NO/NC, NPN
Current output	100 mA
Switching frequency	≤ 625 Hz
Readiness delay	≤ 100 ms
Response time typical	< 0.85 ms
<b>Mechanical data</b>	
Design	Rectangular with thread, QS18
Dimensions	Ø 18 x 31 x 15 x 35 mm
Housing material	Plastic, ABS
Lens	plastic, Acrylic
Electrical connection	Connector, M12 × 1, PVC
Number of cores	4

### Features

- Male M12 × 1, 4-pin
- Protection class IP67
- LED all-round visible
- Operating voltage: 10...30 VDC
- NPN switching output, changeover

### Wiring diagram



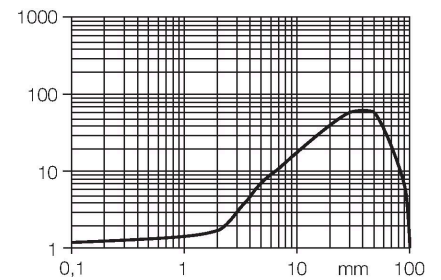
### Functional principle

Diffuse mode sensors with background suppression operate with a single emitter and several receiver elements. The target position and the photoelectric structure of the sensor determine which of the receiving elements receives the most light. The sensor electronics determine whether the reflecting object is within or outside the measuring range. These sensors come with a fixed cut-off point.

Excess gain curve  
Excess gain in relation to the distance

## Technical data

Ambient temperature	-20...+70 °C
Protection class	IP67
Power-on indication	LED, Green
Switching state	LED, Yellow
Error indication	LED, green, Flashing
Excess gain indication	LED, yellow, flashing
<b>Tests/approvals</b>	
MTTF	965 years acc. to SN 29500 (Ed. 99) 40 °C
Approvals	CE, cURus



## Accessories

**SMB18A** 3033200

Mounting bracket, rectangular, stainless steel, for sensors with 18 mm thread

**SMB18AFAM10** 3012558

Mounting bracket, material VA 1.4401, for M10 x 1.5 thread, thread length 18 mm

**SMBQS18A** 3069721

Mounting bracket, stainless steel, for 18 mm thread

**SMB18SF** 3052519

Mounting bracket, PBT black, for sensors with 18 mm thread, rotatable

## Accessories

Dimension drawing	Type	ID	
	RKC4.4T-2/TEL	6625013	Connection cable, female M12, straight, 4-pin, cable length: 2 m, sheath material: PVC, black; cULus approval; other cable lengths and qualities available, see <a href="http://www.turck.com">www.turck.com</a>

## Dimension drawing

## Type

WKC4.4T-2/TEL

## ID

6625025

Connection cable, female M12, angled,  
4-pin, cable length: 2 m, sheath  
material: PVC, black; cULus approval;  
other cable lengths and qualities  
available, see [www.turck.com](http://www.turck.com)

