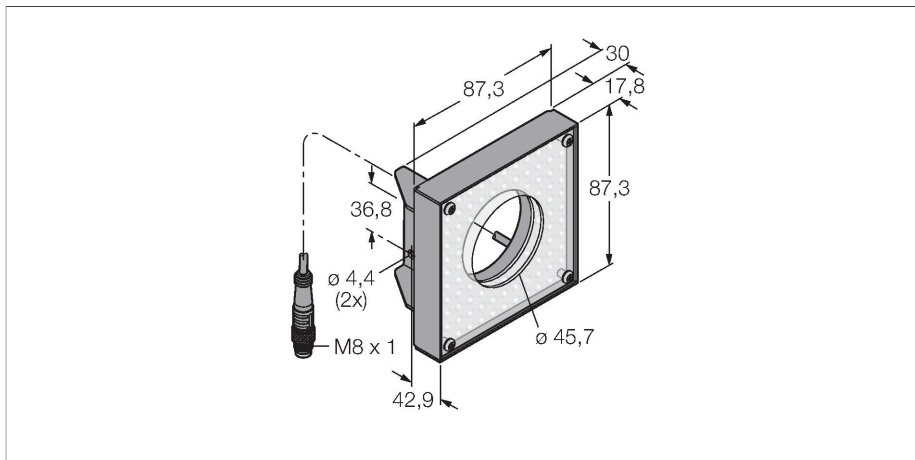


LEDWR80X80M

Vision System – ring light



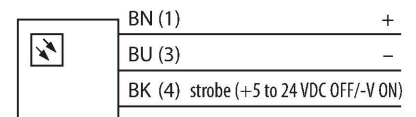
Technical data

Type	LEDWR80X80M
ID	3072260
Signal and display data	
Purpose	Image processing
Function	Area light
Light type	White
Color temperature	5000...+8300 K
LED service life (L70)	20000 h
Features of color 1	White
Electrical data	
Operating voltage	24 VDC
DC rated operational current	≤ 250 mA
Max. current consumption per color	250 mA
Mechanical data	
Design	Rectangular
Dimensions	87.3 x 87.3 x 35.5 mm
Housing material	Metal, Low-carbon steel
Window material	Acrylic, clear
Electrical connection	Cable with connector, M8 × 1, 2 m, PVC
Number of cores	3
Ambient temperature	0...+50 °C
Protection class	IP20
Tests/approvals	
Approvals	CE, cULus listed

Features

- Close-range illumination
- Protection class: IP20
- Color: white
- Power supply: 24 VDC
- Pigtail M8x1, 2 m

Wiring diagram



Functional principle

Directly mounted to the sensor for easy setup. Illumination of objects directly in front of the sensor.