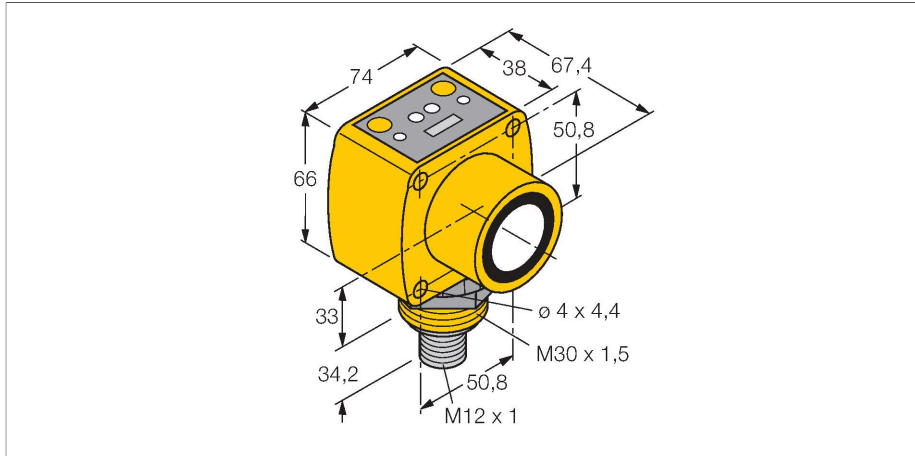


QT50UVR3WQ1

Ultrasonic Sensor – diffuse mode sensor

With Switching Outputs



Features

- LED indicates signal intensity
- Male connector, 5-pin, M12 × 1 (AC)
- Temperature compensation selectable via DIP switch
- Blind zone: 20 cm
- Range: 800 cm

Functional principle

Ultrasonic sensors detect a multitude of objects contactless and wear-free with ultrasonic waves. Regardless of whether the object is transparent or opaque, metallic or non-metallic, liquid, solid or powdery. Even environmental conditions such as spray, dust or rain hardly affect their function.

Technical data

Type	QT50UVR3WQ1
ID	3072475
Ultrasonic data	
Function	Proximity switch
Range	200...8000 mm
Ultrasound frequency	75 kHz
Repeatability	≤ ± 1 mm
Temperature drift	≤ 0.02 % of full scale/K
Edge lengths of the nominal actuator	500 mm
Electrical data	
Operating voltage	85...265 VAC
Response time typical	< 100 ms
Readiness delay	≤ 1500 ms
Output function	2 normally open contact, PNP
Switching frequency	≤ 5 Hz
Short-circuit protection	yes
Mechanical data	
Design	Rectangular, QT50U
Radiation direction	straight
Dimensions	67.4 x 74 x 100.2 mm
Housing material	Plastic, PBT
Transducer material	Plastic, Epoxyd resin and PU foam
Electrical connection	Connector, M12 × 1, PVC
Ambient temperature	-20...+70 °C
Storage temperature	-40...+90 °C

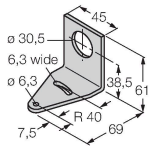
Technical data

Relative humidity	100 %
Protection class	IP67
Power-on indication	LED, Green
Switching state	LED, Yellow
Object detected	LED, Red
Tests/approvals	
MTTF	131 years acc. to SN 29500 (Ed. 99) 40 °C
Approvals	CE

Accessories

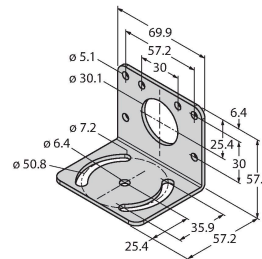
SMB30A **3032723**

Mounting bracket, rectangular, stainless steel, for sensors with 30mm thread



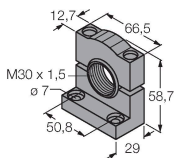
SMB30MM **3027162**

Mounting bracket, rectangular, stainless steel, for sensors with 30 mm thread, wide holes for accurate alignment



SMB30SC **3052521**

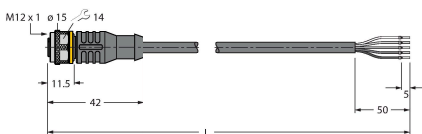
Mounting bracket, PBT black, for sensors with 30 mm thread, rotatable



Accessories

Dimension drawing	Type	ID
	MQVR3S-506	3072671
	MQVR3S-506RA	3072672
	RKC4.5T-2/TEL	6625016

Connection cable, M12 female connector, straight, 5-pin, cable length: 2 m, jacket material: PVC, black; cULus approval



Dimension drawing

Type

WKC4.5T-2/TEL

ID

6625028

Connection cable, M12 female connector, angled, 5-pin, cable length: 2 m, jacket material: PVC, black; cULus approval

