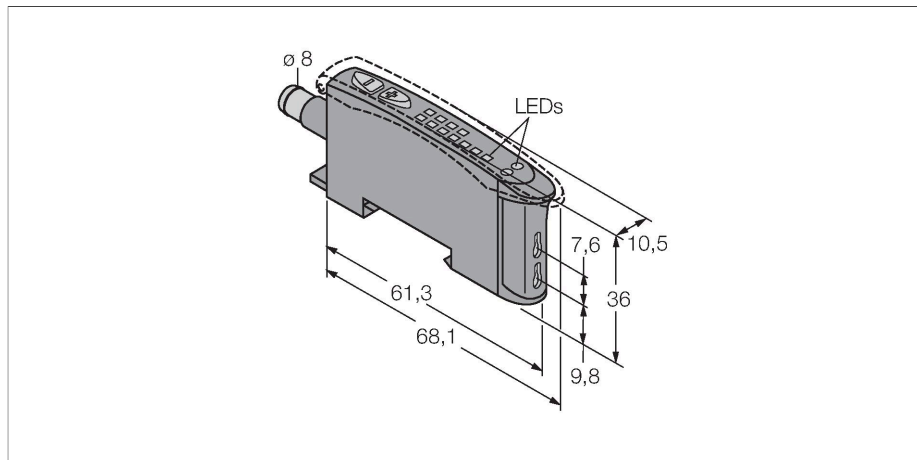


# D10BFPGQ

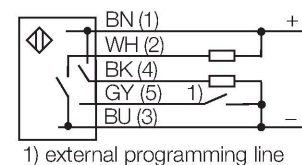
## Photoelectric Sensor – Photoelectric Sensor for Plastic Fibers



### Features

- Male 8 mm, 6-pin, snap-lock
- 8-segment LED display
- Response time, adjustable
- Light/dark operation
- Teach programming
- Visible green light
- Operating voltage 10...30 VDC
- Selectable 30 ms switch-off delay

### Wiring diagram



### Functional principle

Glass or fibre optic sensors are the optimum choice for high temperature or space restricted applications. Fibre optics transfer the light from the sensor to a remote object. Individual fibre optics are used for opposed mode sensing, whereas bifurcated fibre optics are suited for diffuse mode operation.

### Technical data

Type	D10BFPGQ
ID	3072617
<b>Optical data</b>	
Function	Fiber optic sensor
Operating mode	Plastic fiber
Fiber-optic type	plastic
Light type	Green
Wavelength	525 nm
<b>Electrical data</b>	
Operating voltage	10...30 VDC
Residual ripple	< 10 % U <sub>ss</sub>
No-load current	≤ 45 mA
Short-circuit protection	yes
Reverse polarity protection	yes
Output function	NO contact, PNP/NPN
Switching frequency	2.5 kHz
Readiness delay	≤ 200 ms
Response time typical	< 0.2 ms
Setting option	Push Button Remote Teach
<b>Mechanical data</b>	
Design	Rectangular, D10B
Dimensions	84.4 x 10.5 x 35.9 mm
Housing material	Plastic, Thermoplastic material
Electrical connection	Connector, M8 × 1, PVC
Number of cores	6
Ambient temperature	-20...+55 °C

## Technical data

Relative humidity	0...90 %
Protection class	IP50
Special features	keep/defer
Power-on indication	LED, Green
Switching state	LED, Yellow
Excess gain indication	Bargraph, red
<b>Tests/approvals</b>	
Approvals	CE, cURus

## Accessories

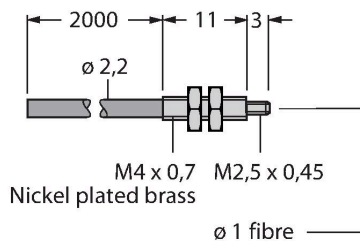
SMBR55F01	3067104	SMBR55FRA	3058809
	Mounting panel, PBT, black, for R55F series, wall mounting		Mounting bracket, 19-ga. stainless steel, for D10, DF-G1 and R55F series, lateral wall mounting
DIN-35-70	3026604	DIN-35-105	3030470
	DIN rail, width 35 mm, length 70 mm		DIN rail, width 35 mm, length 105 mm
DIN-35-140	3026605		
	DIN rail, width 35 mm, length 140 mm		

## Accessories

Dimension drawing	Type	ID	
	PKG6Z-2	3062985	Connection cable, PVC, length 2 m, with female end, M8 x 1, 6-pin, on open end; other cable lengths and variants available, see <a href="http://www.turck.com">www.turck.com</a>
	PKW6Z-2	3062998	Connection cable, PVC, length 2 m, with female end, angled, M8 x 1, 6-pin, on open end; other cable lengths and variants available, see <a href="http://www.turck.com">www.turck.com</a>

## Accessories

Dimension drawing	Type	ID	
	PIT46U	3026034	Plastic fiber-optic sensor, operating mode: Opposed mode, threaded sleeve M3 x 0.5 mm, field wireable wire without end tip, polyethylene sheath, ambient temperatures -30 °C...+70 °C



Dimension drawing	Type	ID	
	PBT46U	3025967	Plastic fiber-optic sensor, operating mode: Diffuse mode, threaded sleeve M3 x 0.75 mm, field wireable wire without end tip, polyethylene sheath, ambient temperatures -30 °C...+70 °C

