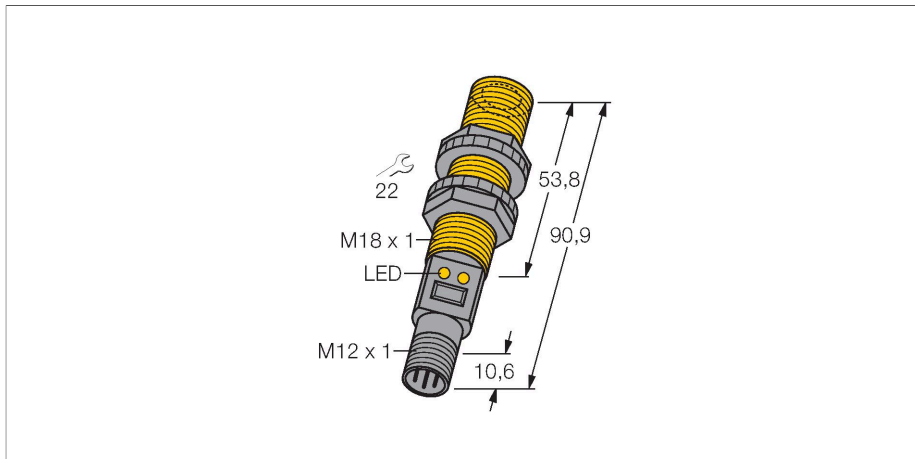


S18UBAQPMA

Ultrasonic Sensor – diffuse mode sensor With Switching Output



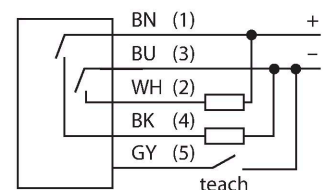
Technical data

Type	S18UBAQPMA
ID	3072722
Ultrasonic data	
Function	Proximity switch
Range	30...300 mm
Ultrasound frequency	300 kHz
Repeatability	≤ ± 0.25 mm
Temperature drift	± 0.3 % of full scale
Edge lengths of the nominal actuator	50 mm
Electrical data	
Operating voltage	10...30 VDC
No-load current	≤ 100 mA
Response time typical	< 5 ms
Readiness delay	≤ 300 ms
Output function	NO contact, PNP
Switching frequency	≤ 100 Hz
Short-circuit protection	yes
Reverse polarity protection	Complete
Wire breakage protection	yes
Mechanical data	
Design	Tube, S18U
Radiation direction	straight
Dimensions	Ø 18 x 90.9 mm
Housing material	Plastic, ABS/Polycarbonate
Transducer material	Plastic, Epoxyd resin and PU foam

Features

- Compact design
- Connection via male M12 x 1
- Temperature compensation
- Very small blind zone
- Switching range adjustable via teach-in
- Adjustable to retroreflective mode
- Blind zone: 3 cm
- Range: 30 cm

Wiring diagram



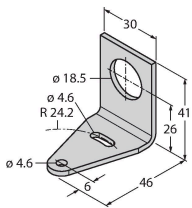
Functional principle

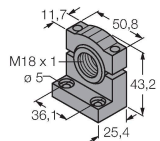
Ultrasonic sensors detect a multitude of objects contactless and wear-free with ultrasonic waves. Regardless of whether the object is transparent or opaque, metallic or non-metallic, liquid, solid or powdery. Even environmental conditions such as spray, dust or rain hardly affect their function.

Technical data

Electrical connection	Cable with connector, M12 × 1, 0.15 m, PVC
Ambient temperature	-20...+60 °C
Storage temperature	-40...+80 °C
Relative humidity	100 %
Protection class	IP67
Power-on indication	LED
Switching state	LED
Object detected	LED, Green
Tests/approvals	
MTTF	53 years acc. to SN 29500 (Ed. 99) 40 °C
Approvals	CE, cURus

Accessories

SMB18A	3033200	SMB18FM	3079421
 <p>Mounting bracket, rectangular, stainless steel, for sensors with 18 mm thread</p>		<p>mounting bracket, black, M22 x1.5 mm, male thread, female thread M18 x 1, for sensors with 18 mm thread</p>	

SMB18SF	3052519
 <p>Mounting bracket, PBT black, for sensors with 18 mm thread, rotatable</p>	

Accessories

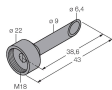
Dimension drawing	Type	ID	
	WKC4.5T-2/TEL	6625028	Connection cable, M12 female connector, angled, 5-pin, cable length: 2 m, jacket material: PVC, black; cULus approval

Dimension drawing	Type	ID	
	RKC4.5T-2/TEL	6625016	Connection cable, M12 female connector, straight, 5-pin, cable length: 2 m, jacket material: PVC, black; cULus approval



Accessories

Dimension drawing	Type	ID	
	UWG18-6.4	3076952	Ultrasonic focussing-adapter for QS18U and S18U, internal diameter 6.4 mm



	UWG18-5.0	3077342	Ultrasonic focussing-adapter for QS18U and S18U, internal diameter 5.0 mm
--	-----------	---------	---

