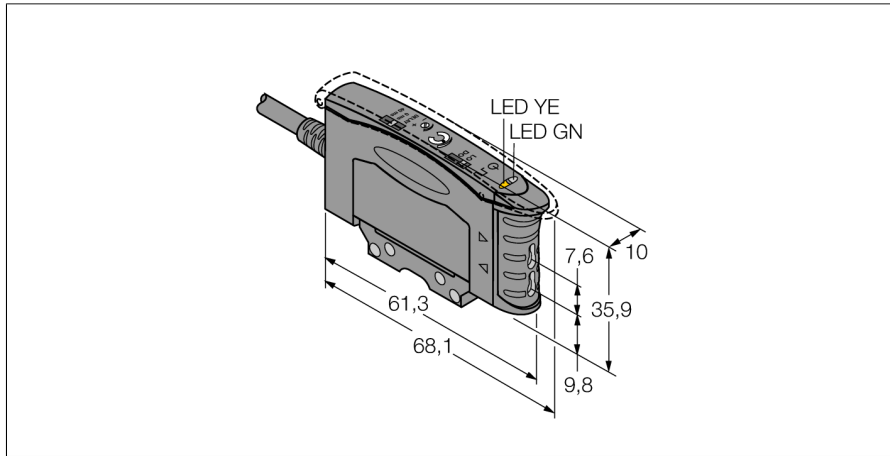


Photoelectric Sensor

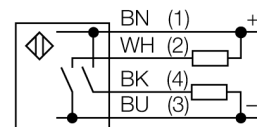
Photoelectric Sensor for Plastic Fibers

D10AFPY W/30



- Cable 9 m
- Light/dark operation
- Red visible light
- Operating voltage 10...30 VDC
- Switch-off delay 40 ms, selectable
- Max. switching frequency 2.5 kHz
- Sensitivity adjusted via 12-turn potentiometer

Wiring Diagram



Type	D10AFPY W/30
ID	3073123

Optical data	
Function	Fiber optic sensor
Operating mode	Plastic fiber
Fiber-optic type	plastic
Light type	Red
Wavelength	660 nm

Electrical data	
Operating voltage U_s	10...30 VDC
Residual ripple	< 10 % U_s
DC rated operating current I_s	≤ 100 mA
No-load current I_0	≤ 25 mA
Short-circuit protection	yes
Reverse polarity protection	yes
Output function	NO contact, PNP/NPN
Switching frequency	2.5 kHz
Readiness delay	≤ 100 ms
Response time typical	< 0.2 ms
Setting option	Potentiometer

Mechanical data	
Design	Rectangular, D10A
Housing material	Plastic, Thermoplastic material, Black
Electrical connection	Cable, 9 m, PVC
Number of cores	4
Core cross-section	0.34 mm ²
Ambient temperature	-20...+55 °C
Relative humidity	0...90%
Protection class	IP50

Special features	
Power-on indication	LED, Green
Switching state	LED, Yellow
Excess gain indication	LED, yellow, flashing

Functional principle

Glass or fibre optic sensors are the optimum choice for high temperature or space restricted applications. Fibre optics transfer the light from the sensor to a remote object. Individual fibre optics are used for opposed mode sensing, whereas bifurcated fibre optics are suited for diffuse mode operation.

Tests/approvals	
Approvals	CE, cURus

Accessories

Type code	Ident no.		Dimension drawing
SMBR55F01	3067104	Mounting panel, PBT, black, for R55F series, wall mounting	
SMBR55FRA	3058809	Mounting bracket, 19-ga. stainless steel, for D10, DF-G1 and R55F series, lateral wall mounting	
DIN-35-70	3026604	DIN rail, width 35 mm, length 70 mm	
DIN-35-105	3030470	DIN rail, width 35 mm, length 105 mm	
DIN-35-140	3026605	DIN rail, width 35 mm, length 140 mm	

Function accessories

Type code	Ident no.		Dimension drawing
PIT46U	3026034	Plastic fiber-optic sensor, operating mode: Opposed mode, threaded sleeve M3 x 0.5 mm, field wireable wire without end tip, polyethylene sheath, ambient temperatures -30 °C...+70 °C	
PBT46U	3025967	Plastic fiber-optic sensor, operating mode: Diffuse mode, threaded sleeve M3 x 0.75 mm, field wireable wire without end tip, polyethylene sheath, ambient temperatures -30 °C...+70 °C	