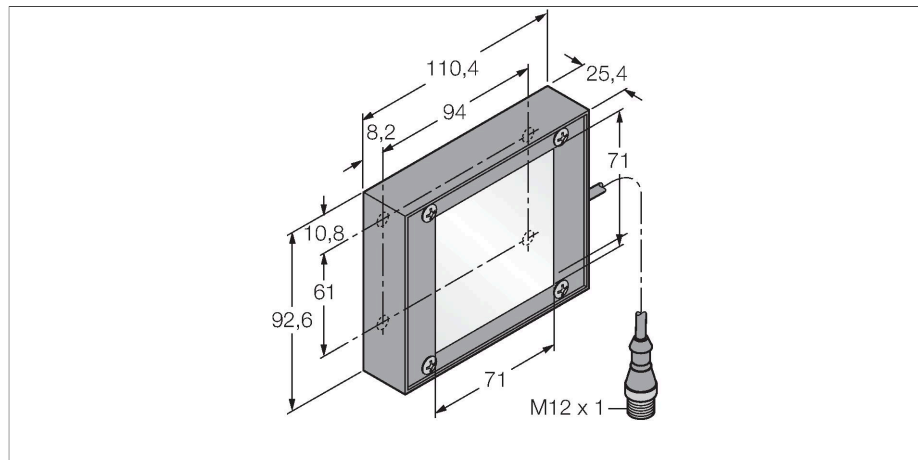


LEDIB70X70QPMA

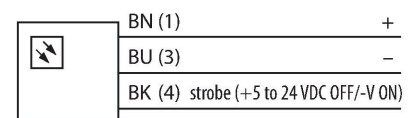
Vision System – Backlight



Features

- Protection class: IP40
- Color: infrared
- Power supply: 24 VDC
- M12 x 1 male

Wiring diagram



Technical data

| | |
|------------------------------------|--|
| Type | LEDIB70X70QPMA |
| ID | 3073288 |
| Signal and display data | |
| Purpose | Image processing |
| Function | Area light |
| Light type | IR |
| Wavelength | 850...940 nm |
| LED service life (L70) | 50000 h |
| Electrical data | |
| Operating voltage | 24 VDC |
| DC rated operational current | ≤ 250 mA |
| Max. current consumption per color | 250 mA |
| Mechanical data | |
| Design | Rectangular |
| Dimensions | 110.4 x 92.6 x 25 mm |
| Housing material | Metal, Low-carbon steel |
| Window material | Acrylic, diffuse |
| Electrical connection | Cable with connector, M12 x 1, 0.15 m, PUR |
| Number of cores | 4 |
| Ambient temperature | 0...+50 °C |
| Protection class | IP40 |
| Tests/approvals | |
| Approvals | CE, cULus listed |

Functional principle

Installed directly behind the object, opposite to the sensor. Highly diffuse surfaces and consistent brightness, with lower intensity compared to other lights.