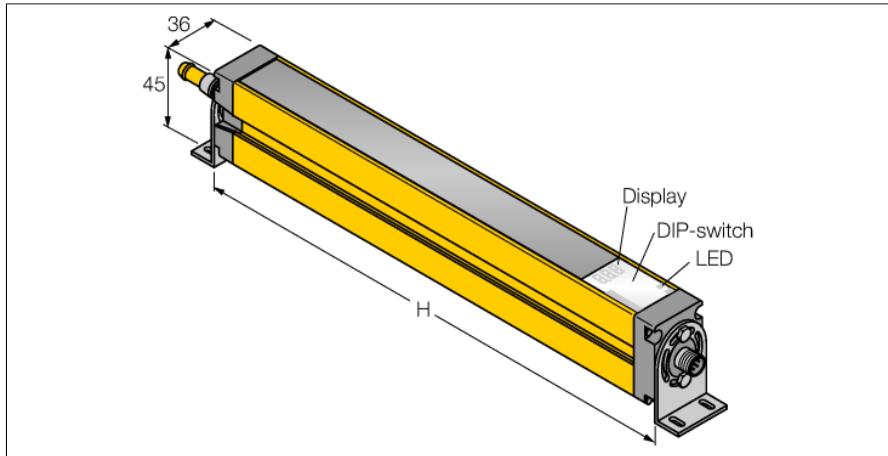


Safety Light Curtain Cascadable Receiver SLSCR14-1800Q8



- M12 × 1 male connector, 8-pin
- Blanking function
- Cascadable up to 4 modules
- Protection class IP65
- Adjustments via DIP switch
- Operating voltage 24 VDC ± 15 %
- Resolution 14 mm
- Scan field 1800 mm
- All devices incl. two EZA-MBK-11 mounting brackets; devices with a length of 900 mm or more additionally incl. one EZA-MBK-12
- Personnel safety category 4, PL e acc. to EN ISO 13849-1:2008
- Type 4 acc. to IEC 61496-1,-2
- SIL 3 to IEC 61508

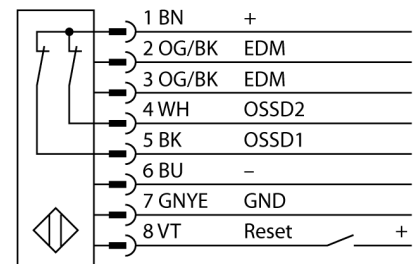
Type	SLSCR14-1800Q8
ID	3073382

Optical data	
Function	Light screen
Optical resolution	14 mm
Range	100...6000 mm
Scan field	1800 mm
Number of beams	240
With muting function	No
Scan Code	Adjustable

Electrical data	
Operating voltage U_s	20...28 VDC
Residual ripple	< 10 % U_s
DC rated operating current I_s	≤ 275 mA
No-load current I_0	≤ 275 mA
Max. current safe output	500 mA
Short-circuit protection	yes
Reverse polarity protection	yes
Output function	2 x NC contact, 2 x PNP
Current output	0...500 mA
Number of safe semiconductor outputs	2
Insulation class	III
Response time typical	< 56 ms
With restart interlock	yes
Blanking function	yes

Mechanical data	
Design	Rectangular, EZ-Screen
Housing material	Metal, AL, Yellow polyester
Lens	plastic, Acrylic
Cascadable	Yes
Electrical connection	Connector, M12 × 1
Number of cores	8
Ambient temperature	0...+50 °C
Protection class	IP65

Wiring Diagram



Functional principle

The high-resolution safety light curtain consists of an emitter and a receiver. As the system is optically synchronized, no wiring between the emitter and receiver is required.

The safety switching outputs of the receiver are directly connected to a load relay and trigger an immediate stop of dangerous machine cycles. Due to the 2-channel monitoring of the switching device and the diverse redundancy of the design, which involves two processors controlling each other mutually, the requirements of personnel safety type 4 acc. to IEC 61496 are fulfilled.

Power-on indication	LED, Green
Switching state	2-color LED, Red

Tests/approvals	
Vibration resistance	10-55 Hz at 0.35 mm
Shock test	10 g at 16 ms (6000 cycles)
Approvals	CE, cULus listed

Accessories

Type code	Ident no.		Dimension drawing
EZA-MBK-21	3073319	Mounting bracket, steel, black-finished, for EZ-ARRAY and EZ-SCREEN standard 14 & 30 mm	
EZA-MBK-11	3071470	Mounting bracket, steel, black-finished, for EZ-ARRAY and EZ-SCREEN standard and cascade 14 & 30 mm	
EZA-MBK-12	3071756	Mounting bracket, steel, black-finished, for EZ-ARRAY and EZ-SCREEN standard and cascade 14 & 30 mm	
EZA-MBK-20	3072587	Mounting bracket, steel, black-finished, for EZ-ARRAY and EZ-SCREEN standard 14 & 30 mm	

Function accessories

Type code	Ident no.		Dimension drawing
IM-T-9A	3061425	Safety relay, category 4 acc. to ISO 13849-1 (EN 954.1), 2 inputs, 3 NO outputs, 24 VDC, supplies max. 6 A, 20 ms response time	