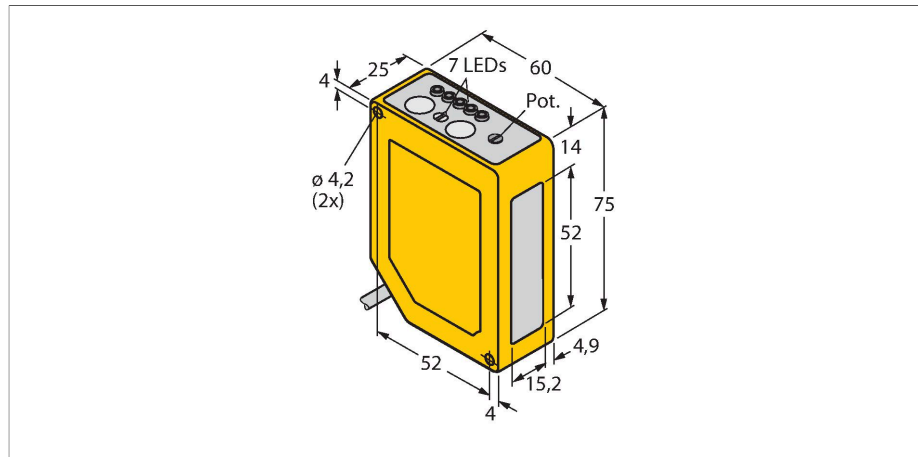


Q60VR3LAF2000QPMA10

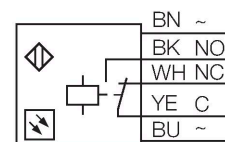
Photoelectric Sensor – Laser Sensor, Diffuse Mode, with Adjustable Background Suppression



Features

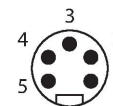
- Cable with male end 7/8", 5-pin, PUR, 150 mm
- Protection class IP67
- 5-segment LED display
- Signal indication
- Keylock
- Switch ON/OFF delay, adjustable between 8...16 ms
- Operating voltage: 12...250 VDC or 24...250 VAC
- Relay output

Wiring diagram



Technical data

| | |
|------------------------------|---|
| Type | Q60VR3LAF2000QPMA10 |
| ID | 3073467 |
| Optical data | |
| Function | Proximity switch |
| Operating mode | Background suppression, adjustable |
| Light type | Red |
| Wavelength | 650 nm |
| Laser class | ▲ 2 |
| Range | 200...2000 mm |
| Electrical data | |
| Operating voltage | 12...250 VDC |
| Operating voltage | 24...250 VAC |
| DC rated operational current | ≤ 200 mA |
| No-load current | ≤ 50 mA |
| Output function | Complementary contact, Relay output |
| Switching frequency | ≤ 33 Hz |
| Readiness delay | ≤ 1000 ms |
| Mechanical data | |
| Design | Rectangular, Q60 |
| Dimensions | 60 x 25 x 75 mm |
| Housing material | Plastic, ABS, Yellow |
| Lens | plastic, Acrylic |
| Electrical connection | Cable with connector, 7/8", 0.15 m, PUR |
| Ambient temperature | -10...+45 °C |
| Protection class | IP67 |
| Special features | Laser |



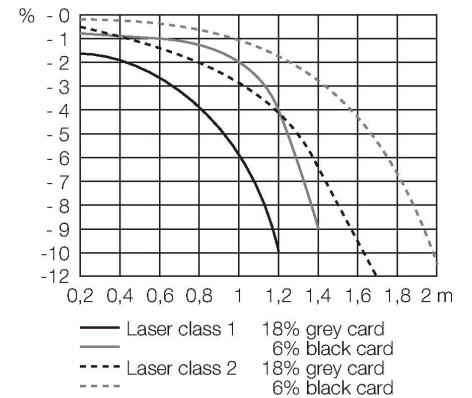
Functional principle

Diffuse mode sensors with background suppression operate with a single emitter and several receiver elements. The target position and the photoelectric structure of the sensor determine which of the receiving elements receives the most light. The sensor electronics determine whether the reflecting object is within or outside the measuring range. The sensors come with an adjustable or fixed cut-off point.

Deviation curve
Deviation of the cut-off point of a 18 % grey or 6 % black target relative to the cut-off point of a white target

Technical data

| | |
|------------------------|--|
| Power-on indication | LED, Green |
| Switching state | LED, Yellow |
| Error indication | LED |
| Excess gain indication | LED, green, flashing |
| Tests/approvals | |
| MTTF | 19 years acc. to SN 29500 (Ed. 99) 40 °C |
| Approvals | CE, cURus |



Accessories

