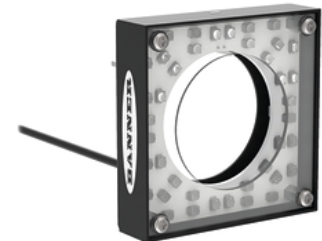
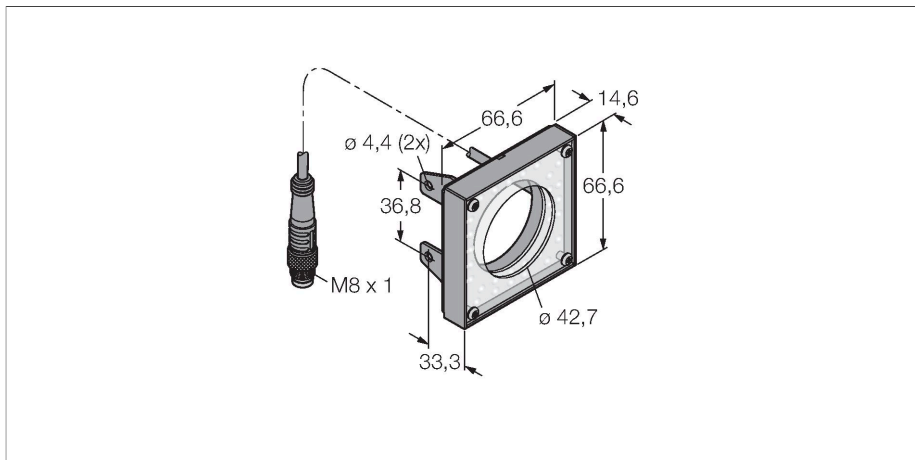


# LEDRR62X62M

## Vision System – ring light



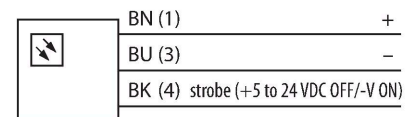
### Technical data

Type	LEDRR62X62M
ID	3075370
<b>Signal and display data</b>	
Purpose	Image processing
Function	Area light
Light type	Red
Wavelength	620...630 nm
LED service life (L70)	20000 h
Features of color 1	Red
<b>Electrical data</b>	
Operating voltage	24 VDC
DC rated operational current	≤ 100 mA
Max. current consumption per color	130 mA
<b>Mechanical data</b>	
Design	Rectangular
Dimensions	66.7 x 66.7 x 104.1 mm
Housing material	Metal, Low-carbon steel
Window material	Acrylic, clear
Electrical connection	Cable with connector, M8 × 1, 0.3 m, PVC
Number of cores	3
Ambient temperature	0...+50 °C
Protection class	IP20
<b>Tests/approvals</b>	
Approvals	CE, cULus listed

### Features

- Close-range illumination
- Protection class: IP20
- Color: red
- Power Supply: 24 VDC
- Pigtail M8 × 1, 0.3 m

### Wiring diagram



### Functional principle

Directly mounted to the sensor for easy setup. Illumination of objects directly in front of the sensor.