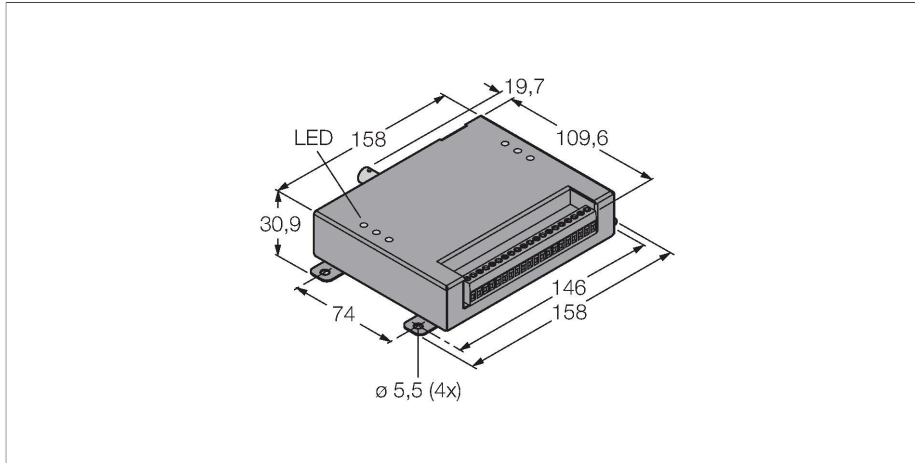


PPROCTLC

Vision Systems – PresencePLUS Pro-controller



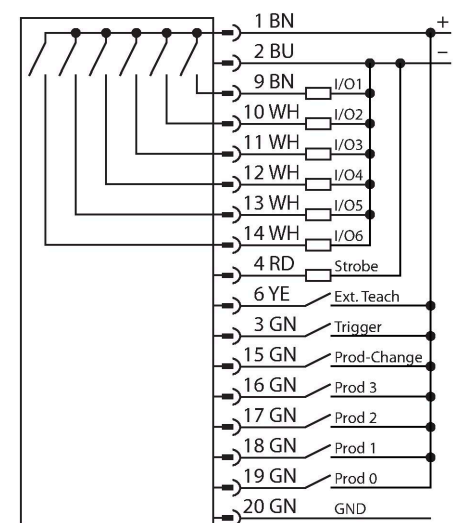
Technical data

Type	PPROCTLC
ID	3076114
Camera data	
Resolution	752 x 480 Pixels
Special features	Wash down
Operating voltage	10...30 VDC
DC rated operational current	≤ 1500 mA
Short-circuit protection	yes
Reverse polarity protection	yes
Communication protocol	EtherNet/IP Modbus TCP Modbus TCP PCCC RS232
Output function	PNP/NPN
Power on display	LED, Green
Switching state	LED, Green
Error indication	LED, red
Mechanical data	
Design	Rectangular, PresencePLUS controller
Dimensions	109.6 x 158 x 30.9 mm
Housing material	Metal, Black
Electrical connection	Screw terminals, Removable screw terminals, 20-wire
Ambient temperature	0...+50 °C
Protection class	IP20
Tests/approvals	
Approvals	CE

Features

- Controller for DIN rail mounting
- Protection class IP20
- Separate camera required, type PPROCAM
- Parameterization software in 9 languages for Windows operating system
- EtherNet/IP and Modbus TCP interface
- 1/3" CMOS, 752x480 pixels
- RGB- / HSI color space
- Voltage supply 10...30 VDC
- Max. current consumption 1.5 A (no-load)
- Memory 64 MB
- Max. 999 inspections

Wiring diagram



Functional principle

The image processing system PresencePLUS PRO consists of the compact camera and the processing unit incorporated in a separate controller. Lens, external/internal lighting and

connection cable are to be ordered separately.
Freeware and firmware updates are available
for download on:
www.bannerengineering.com

Accessories

Dimension drawing	Type	ID
	PPC06	3062409
	PPC06RA	3070827