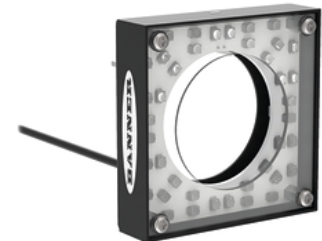
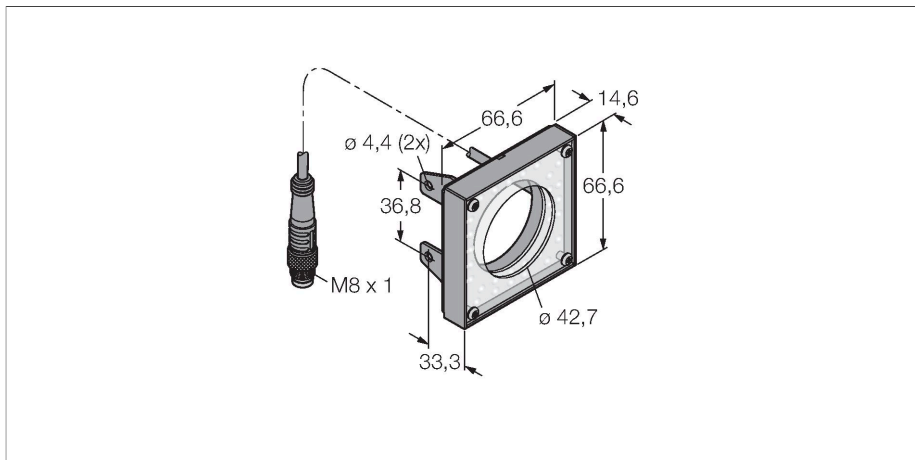


LEDBR62X62M

Vision System – ring light



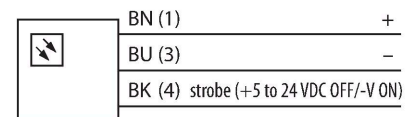
Technical data

| | |
|------------------------------------|--|
| Type | LEDBR62X62M |
| ID | 3076152 |
| Signal and display data | |
| Purpose | Image processing |
| Function | Area light |
| Light type | Blue |
| Wavelength | 465...485 nm |
| LED service life (L70) | 20000 h |
| Features of color 1 | Blue |
| Electrical data | |
| Operating voltage | 24 VDC |
| DC rated operational current | ≤ 100 mA |
| Max. current consumption per color | 130 mA |
| Mechanical data | |
| Design | Rectangular |
| Dimensions | 66.7 x 66.7 x 104.1 mm |
| Housing material | Metal, Low-carbon steel |
| Window material | Acrylic, clear |
| Electrical connection | Cable with connector, M8 × 1, 0.3 m, PVC |
| Number of cores | 3 |
| Ambient temperature | 0...+50 °C |
| Protection class | IP20 |
| Tests/approvals | |
| Approvals | CE, cULus listed |

Features

- Close-range illumination
- Protection class: IP20
- Color: blue
- Power Supply: 24 VDC
- Pigtail M8 × 1, 0.3 m

Wiring diagram



Functional principle

Directly mounted to the sensor for easy setup. Illumination of objects directly in front of the sensor.