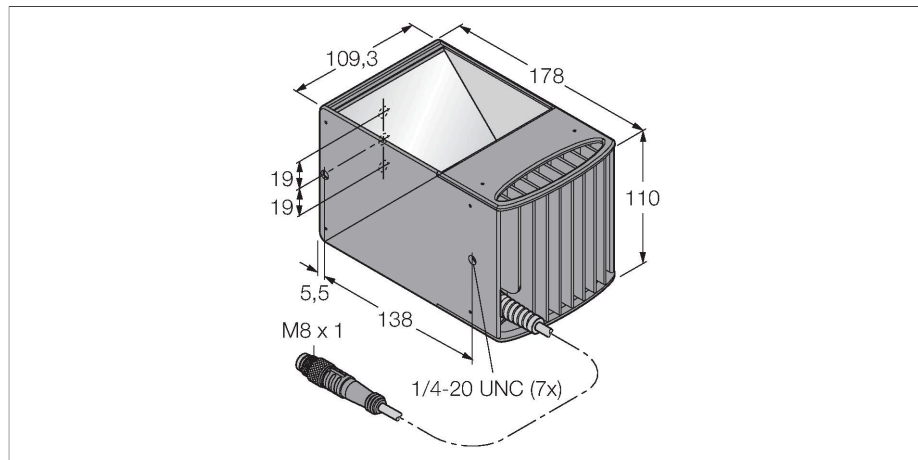


LEDGO100M-D

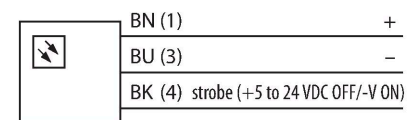
Vision System – Axial Lighting



Features

- Axial lighting
- Protection class: IP40
- Color: green
- Power supply: 24 VDC
- Pigtail M8x1, 0.6m

Wiring diagram



Technical data

Type	LEDGO100M-D
ID	3077468
Signal and display data	
Purpose	Image processing
Function	Area light
Light type	Green
Wavelength	520...535 nm
LED service life (L70)	20000 h
Features of color 1	Green
Electrical data	
Operating voltage	24 VDC
DC rated operational current	≤ 500 mA
Max. current consumption per color	500 mA
Mechanical data	
Design	Rectangular
Dimensions	109.3 x 109.3 x 178 mm
Housing material	Metal, Anodized AL
Window material	Acrylic, clear
Electrical connection	Cable with connector, M8 × 1, 0.6 m, PVC
Number of cores	3
Ambient temperature	0...+50 °C
Protection class	IP40
Tests/approvals	
Approvals	CE, cULus listed

Functional principle

Illumination coaxially integrated in the camera's beam path.