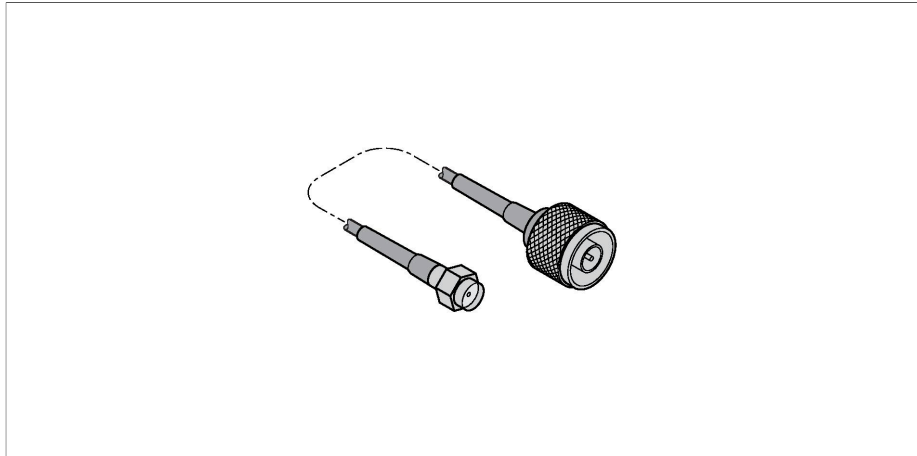


BWC-1MRSMN05

– Connection Accessories

Antenna Cable



Features

- RP-SMA to N-connector
- Length 0.5 m

Functional principle

This antenna cable allows the antenna to be installed at a suitable distance to the radio control participant. Depending on the antenna used, we offer extension cables in different lengths and with different connections.

Technical data

Type	BWC-1MRSMN05
ID	3077486
Device type	Antenna cable
Electrical connection	0.5 m
Antenna connection	RP-SMA plug N-type male connector
Tests/approvals	