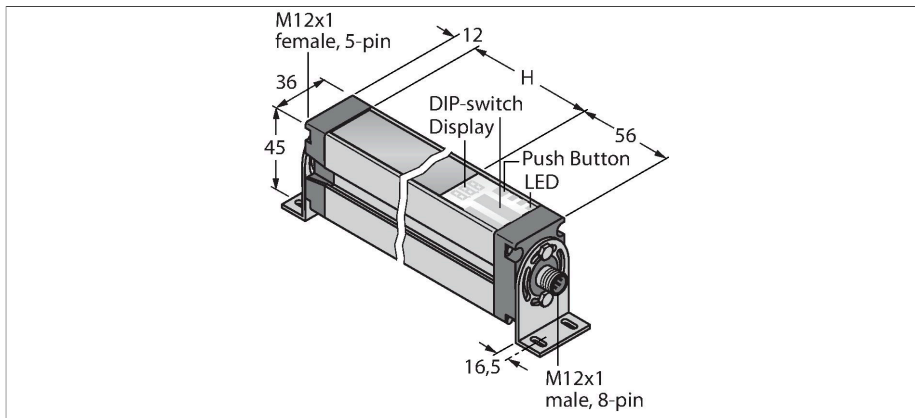


# EA5R1800PUXMODQ

## Measuring Light Screen – Receiver



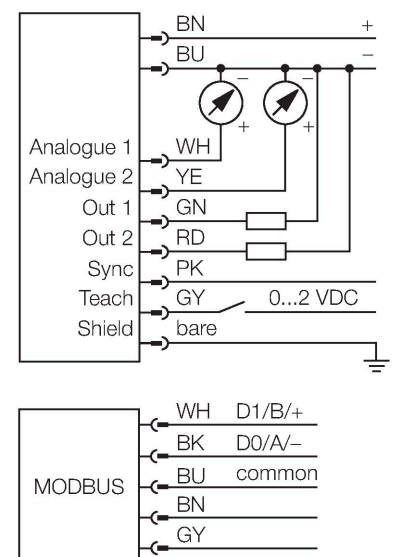
### Technical data

|                              |  |
|------------------------------|--|
| Type                         | EA5R1800PUXMODQ                            |
| ID                           | 3077547                                    |
| <b>Optical data</b>          |  |
| Function                     | Light screen                               |
| Operating mode               | Receiver                                   |
| Optical resolution           | 5 mm                                       |
| Range                        | 400...4000 mm                              |
| Scan field                   | 1800 mm                                    |
| Number of beams              | 360  |
| <b>Electrical data</b>       |  |
| Operating voltage            | 15...30 VDC                                |
| DC rated operational current | ≤ 375 mA                                   |
| No-load current              | ≤ 400 mA                                   |
| Communication protocol       | Modbus RTU<br>RS485                        |
| Output function              | 2 normally open contact, PNP/Analog output |
| Type of analog output        | 0...10 V                                   |
| Voltage output               | 0...10 V                                   |
| Load resistance              | ≥ 2000 Ω                                   |
| Readiness delay              | ≤ 2 s                                      |
| Response time typical        | < 26.5 ms                                  |
| Blanking function            | yes  |
| <b>Mechanical data</b>       |  |
| Design                       | Rectangular, EZ-Array                      |
| Dimensions                   | 45.2 x 36 x 187.8 mm                       |
| Housing material             | Metal, AL, Anodized                        |
| Lens                         | plastic, Acrylic                           |
| Electrical connection        | Connector, M12 × 1                         |

### Features

- Male M12 × 1, 8-pin
- Scan field 1800 mm
- Protection class IP65
- Resolution 5 mm
- Max. range 4 m
- 2 × EZA-MBK-11 brackets included in delivery
- Operating voltage 15...30 VDC
- 2x PNP switching output
- 2 x analog outputs 0...10 V
- Modbus RTU via RS485, female M12 × 1, 5-pin
- Supports baud rates: 9600, 19200, 38400, 57600 and 115200 Bd

### Wiring diagram



## Technical data

|                        |                           |
|------------------------|---------------------------|
| Ambient temperature    | -40...+70 °C              |
| Protection class       | IP65                      |
| Power-on indication    | LED, Red                  |
| Error indication       | LED, red (dual color LED) |
| Excess gain indication | LED, red                  |
| <b>Tests/approvals</b> |                           |
| Approvals              | CE                        |

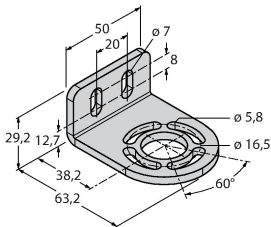
## Functional principle

The measuring light screen EZ-Array is ideal for sizing and product profiling, edge and centre guiding, sag and hole detection as well as parts counting. The two-part light screen is easily installed. The electronics is incorporated in the receiver housing and can be configured via 6 DIP switches. For special functions, the screen can be adjusted via PC with the enclosed software. To synchronize emitter and receiver just interconnect the sync-outputs of both.

## Accessories

EZA-MBK-11

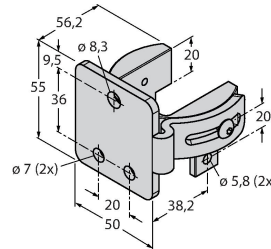
3071470



Mounting bracket, steel, black-finished, for EZ-ARRAY and EZ-SCREEN standard and cascade 14 & 30 mm

EZA-MBK-12

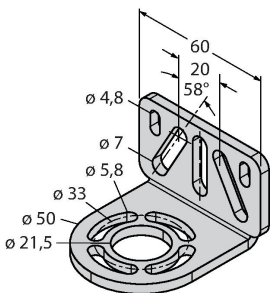
3071756



Mounting bracket, steel, black-finished, for EZ-ARRAY and EZ-SCREEN standard and cascade 14 & 30 mm

EZA-MBK-20

3072587



Mounting bracket, steel, black-finished, for EZ-ARRAY and EZ-SCREEN standard 14 & 30 mm

## Accessories

| Dimension drawing | Type           | ID      |  |
|-------------------|----------------|---------|--|
|                   | RKC8T-2/TEL    | 6625130 | Connection cable, M12 female, straight, 8-pin, cable length: 2 m, jacket material: PVC, black; cULus approval; other cable lengths and qualities available, see <a href="http://www.turck.com">www.turck.com</a>         |
|                   | WKC8T-2/TEL    | 6625133 | Connection cable, M12 female connector, angled, 8-pin, cable length: 2 m, jacket material: PVC, black; cULus approval; other cable lengths and qualities available, see <a href="http://www.turck.com">www.turck.com</a> |
|                   | EZA-USB-485-01 | 3083025 | USB-RS485 converter cable, male M12 x 1 on male USB type A   |

| Dimension drawing | Type                  | ID      |  |
|-------------------|-----------------------|---------|--|
|                   | RKS8T-2/TEL           | 6625446 | Connection cable, M12 female connector, straight, 8-pin, cable length: 2 m, sheath material: PVC, black; shielded; cULus approval; other cable lengths and qualities available, see <a href="http://www.turck.com">www.turck.com</a> |
|                   | WKS8T-2/TXL           | 6625461 | Connection cable, M12 female connector, angled, 8-pin shielded, cable length: 2 m, jacket material: PUR, black; cULus approval; other cable lengths and qualities available, see <a href="http://www.turck.com">www.turck.com</a>    |
|                   | RSS4.5T-2/TEL         | 6626367 |  |
|                   | RKS4.5T-2-RSS4.5T/TEL | 6626388 |  |
|                   | WKS8T-2/TEL           | 6625449 | Connection cable, M12 female connector, angled, 8-pin, cable length: 2 m, sheath material: PVC, black; shielded; cULus approval; other cable lengths and qualities available, see <a href="http://www.turck.com">www.turck.com</a>   |