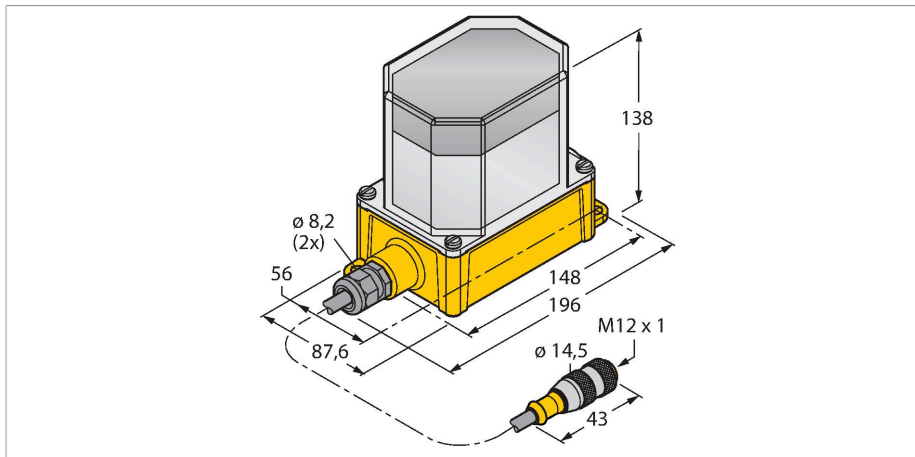


DX81P6

Battery Module – For External Power Supply of DX80 Radio Devices

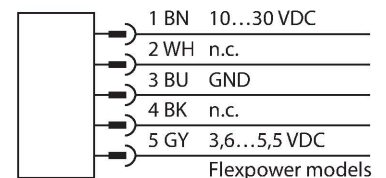
3.6-V Li-Ion Battery



Features

- 150-mm cable with male connector, M12 × 1
- Protection class IP67
- For connection to a DX80 FlexPower device
- Holds six Li-ion D cells
- 6 × XL-205F Li-ion batteries included in delivery, pre-assembled, non-replaceable

Wiring diagram



Functional principle

The DX81 battery modules supply the FlexPower nodes of DX80 networks with power. For XL-205F battery. Efficient energy management ensures that connected sensors are only powered by the nodes when a signal is read out. With power saving circuits and depending on the configuration, the batteries may last 2 or 3 years.

Norms:

Shock and vibration resistant: IEC 68-2-6 and IEC 68-2-7

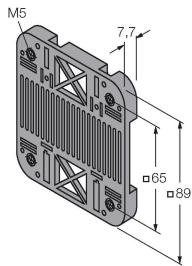
Technical data

Type	DX81P6
ID	3077674
Wireless data	
Device type	Battery housing
I/O data	
Electrical data	
runs with battery	ja
Operating voltage	3.6...5.5 VDC
Mechanical data	
Design	Rectangular, DX81
Dimensions	196 x 87.6 x 138 mm
Housing material	Plastic, PC
Antenna connection	No radio participant
Ambient temperature	-40...+85 °C
Relative humidity	0...95 %
Protection class	IP67
Tests/approvals	

Accessories

SMBDX80DIN 3077161

Mounting panel for DIN rail, suited for CP80, DX80, K80, Q80, operating temperature: -20...90 °C



Accessories

Dimension drawing	Type	ID	
Keine Maßzeichnung vorhanden! No drawing available!	SL-2780/S	6913376	Lithium-ion battery, D cell, 3.6 VDC, 19,000 mAh, local supplier, GGV UN3090/CL9
Keine Maßzeichnung vorhanden! No drawing available!	BWA-BATT-001	3078261	Lithium-ion battery, D cell, 3.6 VDC, 19,000 mAh, American supplier, GGV UN3090/CL9