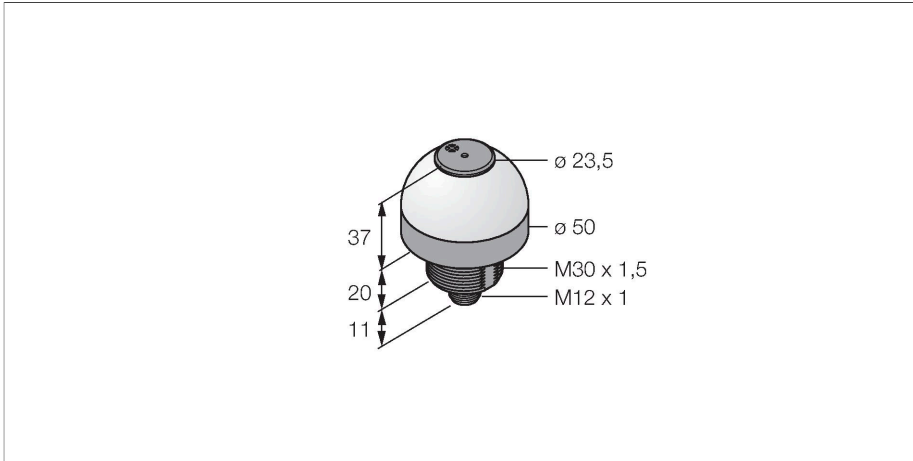


# K50LGRA2YPQ

## LED Indicator – Beacon with Audible Signal



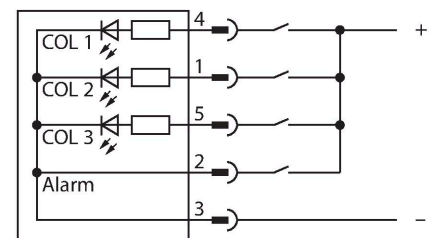
### Technical data

Type	K50LGRA2YPQ
ID	3078516
<b>Signal and display data</b>	
Purpose	LED indicator light
Function	Spotlight
Light type	Green Red Yellow
Dimmable	No
Features of color 1	Green, Permanently on
Features of color 2	Red
Features of color 3	Yellow
Features of color 4	Yellow
Acoustic signal	Pulsed, 75 dB
<b>Electrical data</b>	
Operating voltage	18...30 VDC
DC rated operational current	≤ 40 mA
Max. current consumption per color	40 mA
Max. current consumption of beeper	40 mA
Input type	PNP
Response time typical	< 10 ms
<b>Mechanical data</b>	
Cascadable	No
Design	Dome, K50L
Dimensions	Ø 50 x 68 mm
Housing material	Plastic, PC ABS, Black

### Features

- LED all-round visible
- Pulsed signal: 75dB
- Individually controllable
- Mechanical screw-in thread M30x1.5
- Protection class IP50
- Multicolor: Green (COL 1) / Red (COL 2) / Yellow (COL 3)
- Male M12 x 1, 5-pin
- Operating voltage 18...30 VDC

### Wiring diagram



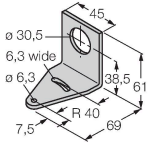
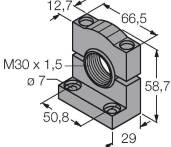
### Functional principle

The rugged and IP50 rated LED is qualified for industrial environments. Depending on the connection, one of the three colors lights steady for the duration of a PNP input signal.

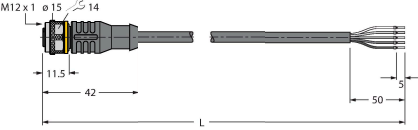
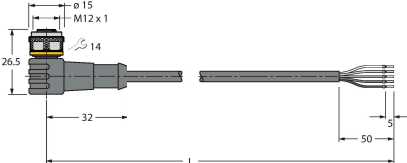
## Technical data

Window material	Polycarbonate, diffuse
Electrical connection	Connector, M12 × 1, PVC
Number of cores	5
Ambient temperature	-20...+50 °C
Relative humidity	0...90 %
Protection class	IP50
<b>Tests/approvals</b>	
Approvals	CE, UL listed

## Accessories

<b>SMB30A</b>	<b>3032723</b>	<b>SMB30SC</b>	<b>3052521</b>
	Mounting bracket, rectangular, stainless steel, for sensors with 30mm thread		Mounting bracket, PBT black, for sensors with 30 mm thread, rotatable

## Accessories

Dimension drawing	Type	ID	
	RKC4.5T-2/TEL	6625016	Connection cable, M12 female connector, straight, 5-pin, cable length: 2 m, jacket material: PVC, black; cULus approval
	WKC4.5T-2/TEL	6625028	Connection cable, M12 female connector, angled, 5-pin, cable length: 2 m, jacket material: PVC, black; cULus approval