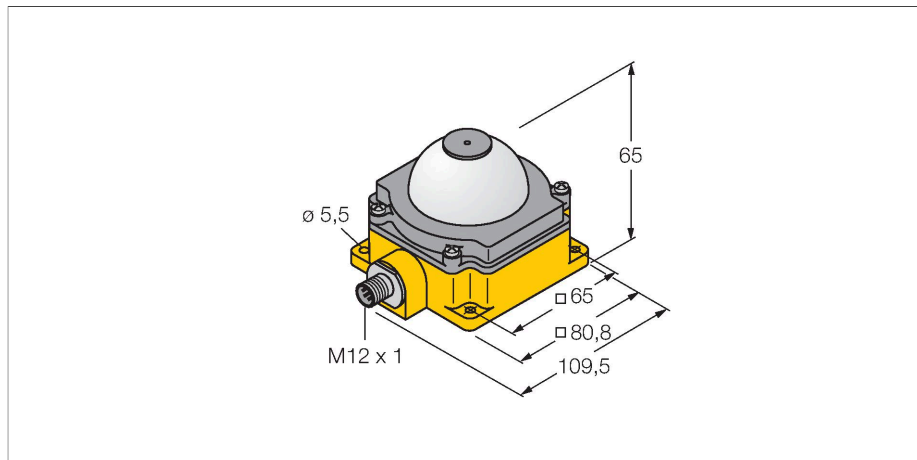


# K80LGRA1YPQ

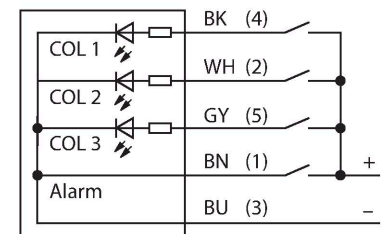
## LED Indicator – Beacon with Audible Signal



### Features

- LED all-round visible
- Continuous signal: 75dB
- Individually controllable
- Protection class IP50
- Multicolor: Green (COL 1) / Red (COL 2) / Yellow (COL 3)
- Male M12 x 1, 5-pin
- Operating voltage 18...30 VDC

### Wiring diagram



### Technical data

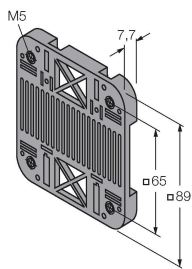
Type	K80LGRA1YPQ
ID	3078517
<b>Signal and display data</b>	
Purpose	LED indicator light
Function	Spotlight
Light type	Green Red Yellow
Dimmable	No
Features of color 1	Green, Permanently on
Features of color 2	Red
Features of color 3	Yellow
Acoustic signal	Continuous tone, 75 dB
<b>Electrical data</b>	
Operating voltage	18...30 VDC
DC rated operational current	≤ 40 mA
Max. current consumption per color	40 mA
Max. current consumption of beeper	40 mA
Input type	PNP
Response time typical	< 10 ms
<b>Mechanical data</b>	
Cascadable	No
Design	Dome, K80L
Dimensions	136.6 x 80.9 x 66.7 mm
Housing material	Plastic, PC
Window material	Acrylic, diffuse
Electrical connection	Connector, M12 × 1, PVC

## Technical data

Number of cores	5
Ambient temperature	-20...+50 °C
Protection class	IP50
<b>Tests/approvals</b>	
Approvals	CE

## Accessories

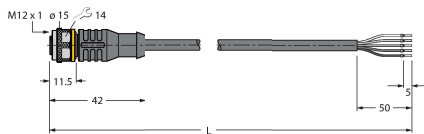
**SMBDX80DIN** 3077161



Mounting panel for DIN rail, suited for CP80, DX80, K80, Q80, operating temperature: -20...90 °C

## Accessories

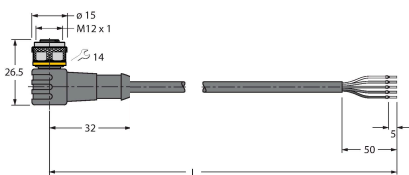
Dimension drawing	Type	ID	
-------------------	------	----	--



RKC4.5T-2/TEL

6625016

Connection cable, M12 female connector, straight, 5-pin, cable length: 2 m, jacket material: PVC, black; cULus approval



WKC4.5T-2/TEL

6625028

Connection cable, M12 female connector, angled, 5-pin, cable length: 2 m, jacket material: PVC, black; cULus approval