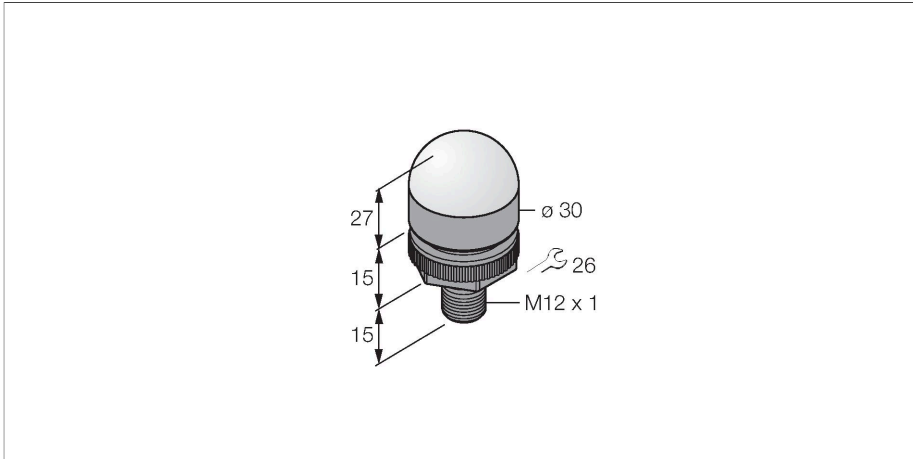


K30LGRXPQ

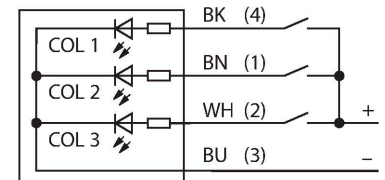
LED Indicator – Beacon



Features

- LED all-round visible
- Individually controllable
- Mechanical screw-in thread M22x1.5
- Protection class IP67
- Multicolor: Green (COL 1) / Red (COL 2)
- Male M12x1
- Operating voltage 10...30 VDC

Wiring diagram



Technical data

Type	K30LGRXPQ
ID	3078800
Signal and display data	
Purpose	LED indicator light
Function	Spotlight
Light type	Green Red
Dimmable	No
Features of color 1	Green, Permanently on
Features of color 2	Red
Special features	Wash down
Electrical data	
Operating voltage	10...30 VDC
DC rated operational current	≤ 25 mA
Max. current consumption per color	25 mA
Input type	PNP
Response time typical	< 1 ms
Mechanical data	
Cascadable	No
Design	Dome, K30L
Dimensions	Ø 30 x 57 mm
Housing material	Plastic, PC, Black
Window material	Polycarbonate, diffuse
Electrical connection	Connector, M12 × 1, PVC
Number of cores	4
Ambient temperature	-40...+50 °C
Relative humidity	0...90 %

Technical data

Protection class IP67
IP69

Tests/approvals

MTTF 626 years acc. to SN 29500 (Ed. 99) 40 °C

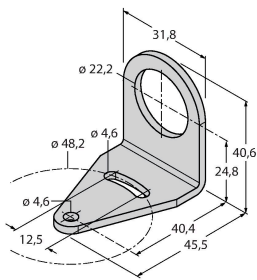
Approvals CE

Accessories

SMB22A

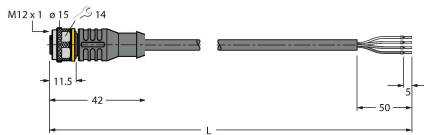
3079414

Mounting bracket, stainless steel, for K30L series



Accessories

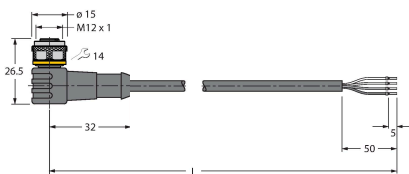
Dimension drawing	Type	ID	
-------------------	------	----	--



RKC4.4T-2/TEL

6625013

Connection cable, M12 female connector, straight, 4-pin, cable length: 2 m, jacket material: PVC, black; cULus approval



WKC4.4T-2/TEL

6625025

Connection cable, M12 female connector, angled, 4-pin, cable length: 2 m, jacket material: PVC, black; cULus approval