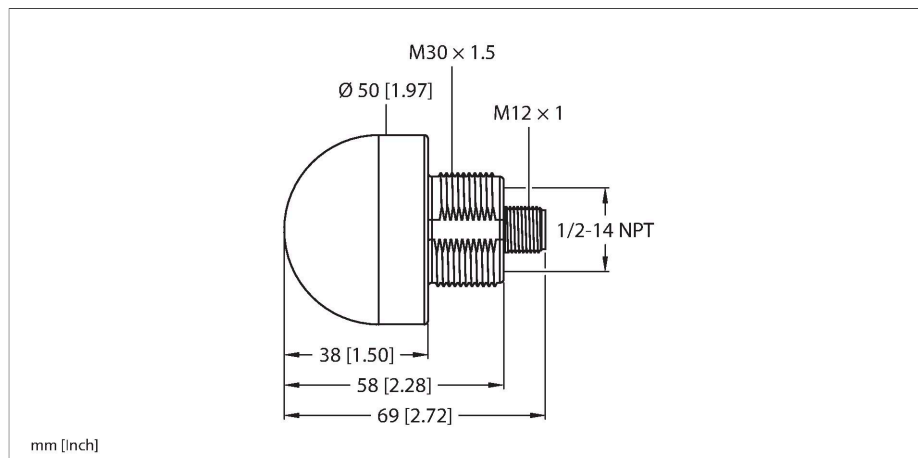


K50LGRBPQ

LED Indicator – Beacon



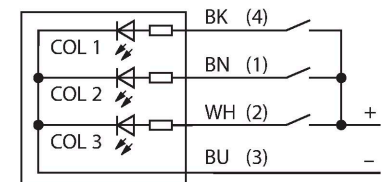
Technical data

| | |
|------------------------------------|----------------------------|
| Type | K50LGRBPQ |
| ID | 3078986 |
| Signal and display data | |
| Purpose | LED indicator light |
| Function | Spotlight |
| Light type | Red Green Blue |
| LED service life (L70) | 50000 h |
| Dimmable | No |
| Features of color 1 | Green, Permanently on |
| Features of color 2 | Red |
| Features of color 3 | Blue |
| Special features | Wash down |
| Electrical data | |
| Operating voltage | 18...30 VDC |
| DC rated operational current | ≤ 40 mA |
| Max. current consumption per color | 40 mA |
| Output function | NO contact, Potential-free |
| Input type | PNP |
| Response time typical | < 1 ms |
| Mechanical data | |
| Cascadable | No |
| Design | Dome, K50L |
| Dimensions | Ø 50 x 69 mm |
| Housing material | Plastic, PC, Black |
| Window material | Polycarbonate, diffuse |

Features

- 3 LED colors
- Red (COL 1)
- Green (COL 2)
- Blue (COL 3)
- Multicolor: Green (COL 1) / Red (COL 2) / Blue (COL 3)
- Individually controlable 18...30 VDC pnp

Wiring diagram



Technical data

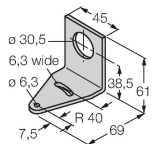
| | |
|------------------------|---|
| Electrical connection | Connector, M12 × 1, PVC |
| Number of cores | 4 |
| Ambient temperature | -40...+50 °C |
| Relative humidity | 0...90 % |
| Protection class | IP67 IP69 |
| Tests/approvals | |
| MTTF | 249 years acc. to SN 29500 (Ed. 99) 40 °C |
| Approvals | CE, UL listed |

Accessories

SMB30A

3032723

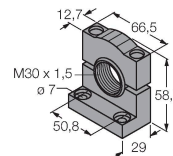
Mounting bracket, rectangular, stainless steel, for sensors with 30mm thread



SMB30SC

3052521

Mounting bracket, PBT black, for sensors with 30 mm thread, rotatable



Accessories

| Dimension drawing | Type | ID | |
|-------------------|---------------|---------|---|
| | RKC4.4T-2/TEL | 6625013 | Connection cable, M12 female connector, straight, 4-pin, cable length: 2 m, jacket material: PVC, black; cULus approval |
| | WKC4.4T-2/TEL | 6625025 | Connection cable, M12 female connector, angled, 4-pin, cable length: 2 m, jacket material: PVC, black; cULus approval |