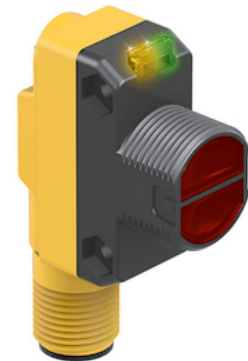
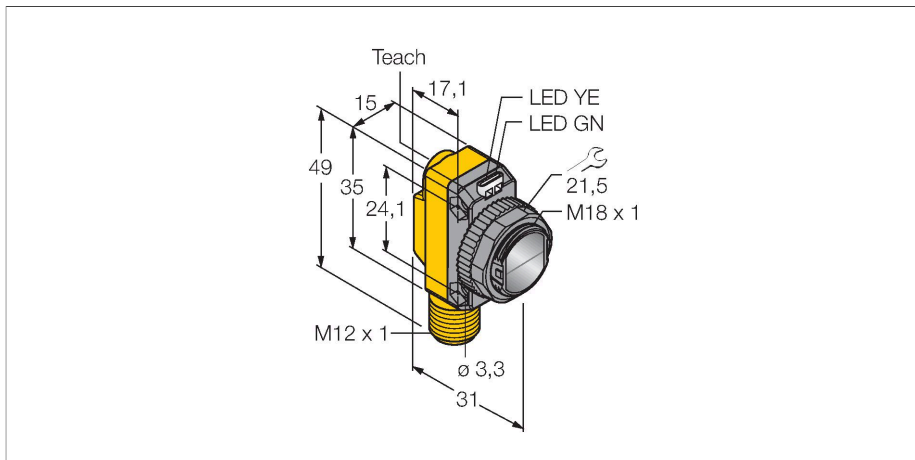


# QS18EP6DVBQ8

## Photoelectric Sensor – Diffuse Mode Sensor



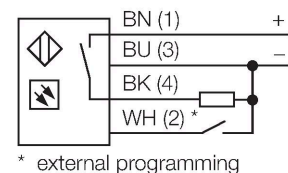
### Technical data

Type	QS18EP6DVBQ8
ID	3079049
<b>Optical data</b>	
Function	Proximity switch
Operating mode	Diffuse
Light type	Red
Wavelength	630 nm
Range	0...600 mm
<b>Electrical data</b>	
Operating voltage	10...30 VDC
DC rated operational current	≤ 100 mA
No-load current	≤ 35 mA
Reverse polarity protection	yes
Output function	NO contact, PNP
Switching frequency	≤ 833 Hz
Readiness delay	≤ 100 ms
Response time typical	< 0.6 ms
Setting option	Push Button Remote Teach
<b>Mechanical data</b>	
Design	Rectangular with thread, QS18
Dimensions	Ø 18 x 31 x 15 x 35 mm
Housing material	Plastic, ABS
Lens	plastic, PMMA
Electrical connection	Connector, M12 × 1, PVC
Number of cores	4
Ambient temperature	-20...+70 °C

### Features

- Male M12 × 1; 4-pin
- Protection class IP67
- LED all-round visible
- Sensitivity adjusted via teach button
- Operating voltage: 10...30 VDC
- PNP switching output
- Light or dark operation

### Wiring diagram



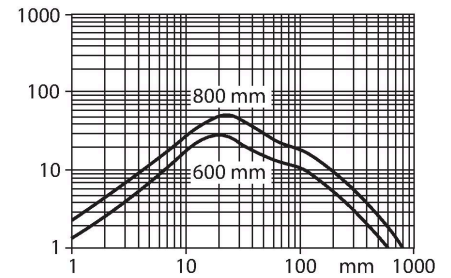
### Functional principle

Identical to retro-reflective sensors, emitter and receiver circuitry are incorporated in the same housing of the diffuse mode sensors. However, diffuse mode sensors do not detect the interruption of the light beam but the reflection of the target. A target is detected if it reflects sufficient light back to the receiver. The switching distance of diffuse mode sensors thus largely depends on the reflectivity of the target. This type of sensor is especially suited for detection of transparent objects (diffuse mode sensor with or without background suppression or convergent mode sensors).

Excess gain curve  
Excess gain in relation to the distance

## Technical data

Protection class	IP67
Special features	keep/defer
Power-on indication	LED, Green
Switching state	LED, Yellow
Error indication	LED, green, Flashing
Excess gain indication	LED
Alarm display	LED yellow Flashing
<b>Tests/approvals</b>	
Approvals	CE, cURus



## Accessories

**SMB18A** 3033200

Mounting bracket, rectangular, stainless steel, for sensors with 18 mm thread

**SMB18AFAM10** 3012558

Mounting bracket, material VA 1.4401, for M10 x 1.5 thread, thread length 18 mm

**SMBQS18A** 3069721


Mounting bracket, stainless steel, for 18 mm thread

**SMB18SF** 3052519

Mounting bracket, PBT black, for sensors with 18 mm thread, rotatable

## Accessories

Dimension drawing	Type	ID	
	RKC4.4T-2/TEL	6625013	Connection cable, female M12, straight, 4-pin, cable length: 2 m, sheath material: PVC, black; cULus approval; other cable lengths and qualities available, see <a href="http://www.turck.com">www.turck.com</a>

Dimension drawing	Type	ID	
	WKC4.4T-2/TEL	6625025	Connection cable, female M12, angled, 4-pin, cable length: 2 m, sheath material: PVC, black; cULus approval; other cable lengths and qualities available, see <a href="http://www.turck.com">www.turck.com</a>