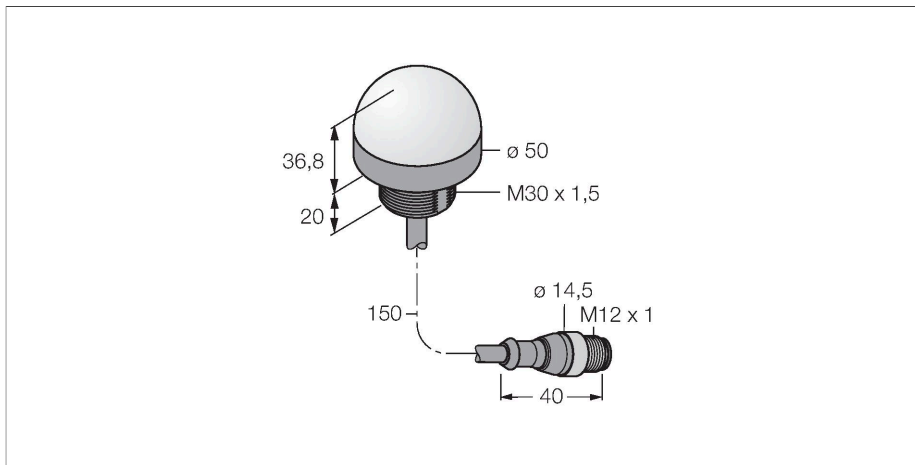


# K50LGXRPQP

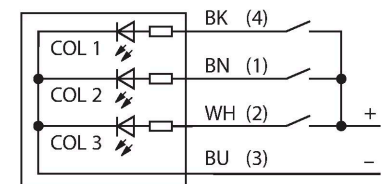
## LED Indicator – Beacon



### Features

- 2 LED colors
- green
- red
- Simultaneous occupation of both inputs is indicated yellow
- Multicolor: Green (COL 1) / Red (COL 3)
- Cable with male end M12 x 1
- Operating voltage 18...30 VDC

### Wiring diagram



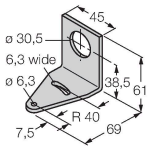
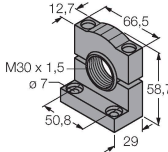
### Technical data

Type	K50LGXRPQP
ID	3079108
<b>Signal and display data</b>	
Purpose	LED indicator light
Function	Spotlight
Light type	Green Red
Dimmable	No
Features of color 1	Green, Permanently on
Features of color 3	Red
Special features	Wash down
<b>Electrical data</b>	
Operating voltage	18...30 VDC
DC rated operational current	≤ 40 mA
Max. current consumption per color	40 mA
Input type	PNP
Response time typical	< 1 ms
<b>Mechanical data</b>	
Cascadable	No
Design	Dome, K50L
Dimensions	Ø 50 x 58 mm
Housing material	Plastic, PC, Black
Window material	Polycarbonate, diffuse
Electrical connection	Cable with connector, M12 x 1, 0.15 m, PVC
Number of cores	4
Ambient temperature	-40...+50 °C

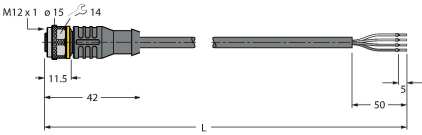
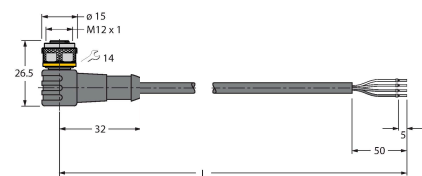
## Technical data

Relative humidity	0...90 %
Protection class	IP67 IP69
<b>Tests/approvals</b>	
MTTF	249 years acc. to SN 29500 (Ed. 99) 40 °C
Approvals	CE, UL listed

## Accessories

<b>SMB30A</b>	<b>3032723</b>	<b>SMB30SC</b>	<b>3052521</b>
 <p>Mounting bracket, rectangular, stainless steel, for sensors with 30mm thread</p>		 <p>Mounting bracket, PBT black, for sensors with 30 mm thread, rotatable</p>	

## Accessories

Dimension drawing	Type	ID	
	RKC4.4T-2/TEL	6625013	Connection cable, M12 female connector, straight, 4-pin, cable length: 2 m, jacket material: PVC, black; cULus approval
	WKC4.4T-2/TEL	6625025	Connection cable, M12 female connector, angled, 4-pin, cable length: 2 m, jacket material: PVC, black; cULus approval