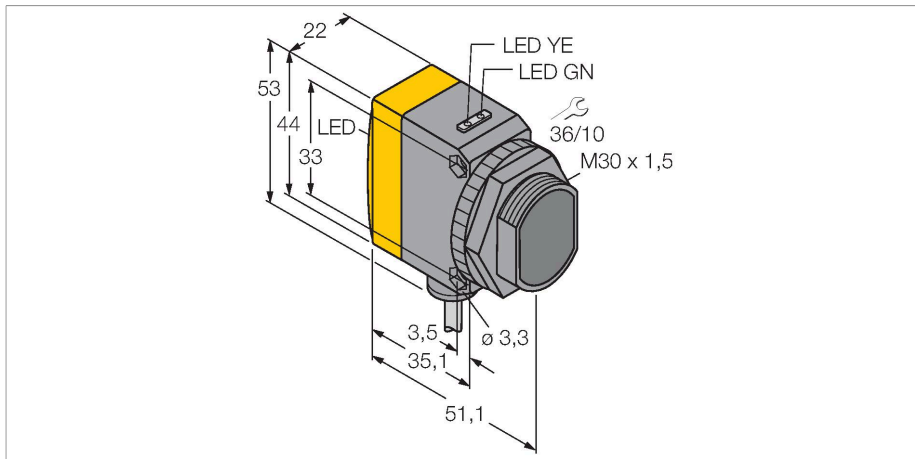


QS30RXH2OU W/30

Photoelectric Sensor – Opposed Mode Sensor (Emitter/Receiver)

For Water Detection



Technical data

Type	QS30RXH2OU W/30
ID	3079180
Optical data	
Function	Opposed mode sensor
Operating mode	Receiver
Range	0...4000 mm
Electrical data	
Operating voltage	10...30 VDC
Residual ripple	< 10 % U _{ss}
Short-circuit protection	yes
Reverse polarity protection	yes
Output function	Analog output
Type of analog output	0...10 V
Voltage output	0...10 V
Load resistance	≥ 2000 Ω
Readiness delay	≤ 100 ms
Response time typical	< 25 ms
Mechanical data	
Design	Rectangular with thread, QS30
Dimensions	Ø 30 x 54.3 x 22 x 53 mm
Housing material	Plastic, Thermoplastic material, Yellow
Lens	plastic, Acrylic
Electrical connection	Cable, 9 m, PVC
Number of cores	5

Features

- Cable, PVC, 9 m
- Protection class IP67
- LED all-round visible
- Selectable operating frequency, protection against crosstalk
- Operating voltage: 15...30 VDC
- Analog output, 0...10 V

Functional principle

The opposed mode sensor incorporates an emitter and a receiver. The emitter emits light in the near IR range with a wavelength of 1450 nm, which approximates one of the absorption edges of water. The resulting high contrast ratio leads to a particularly high sensitivity with water or media containing water as opposed to transparent media.

Technical data

Core cross-section	0.5 mm ²
Ambient temperature	-20...+60 °C
Protection class	IP67
Special features	Encapsulated Water detection
Power-on indication	LED, Green
Switching state	LED, Yellow
Error indication	LED, green, Flashing
Excess gain indication	Bargraph, yellow, flashing
Tests/approvals	
Approvals	CE

Accessories

<p>SMBQS30Y 3002811</p>	<p>Protective housing, stainless steel, for QS30 series</p>	<p>SMBQS30YL 3072741</p>	<p>Protective housing with safety glass panel, stainless steel, for QS30 series</p>
<p>SMB30A 3032723</p>	<p>Mounting bracket, rectangular, stainless steel, for sensors with 30mm thread</p>	<p>SMBQS30L 3002809</p>	<p>Mounting bracket, stainless steel, for QS30 series</p>
<p>SMB30MM 3027162</p>	<p>Mounting bracket, rectangular, stainless steel, for sensors with 30 mm thread, wide holes for accurate alignment</p>	<p>SMB30SC 3052521</p>	<p>Mounting bracket, PBT black, for sensors with 30 mm thread, rotatable</p>