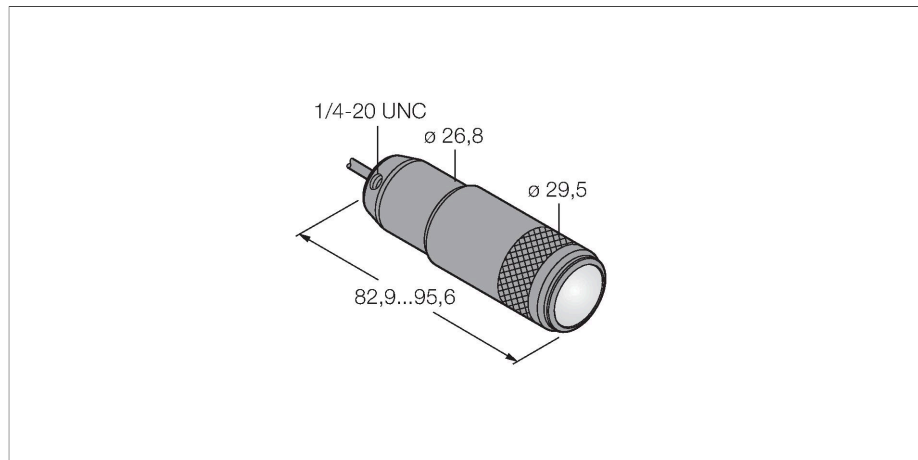


# LEDRSW

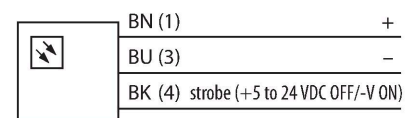
## Vision System – Spotlight



### Features

- Protection class: IP67
- Color: red
- Power supply: 10...30 VDC
- Cable, 2m

### Wiring diagram



### Technical data

|                                    |                    |
|------------------------------------|--------------------|
| Type                               | LEDRSW             |
| ID                                 | 3079206            |
| <b>Signal and display data</b>     |                    |
| Purpose                            | Image processing   |
| Function                           | Spotlight          |
| Light type                         | Red                |
| Wavelength                         | 620...630 nm       |
| LED service life (L70)             | 50000 h            |
| Features of color 1                | Red                |
| Special features                   | Wash down          |
| <b>Electrical data</b>             |                    |
| Operating voltage                  | 10...30 VDC        |
| DC rated operational current       | ≤ 360 mA           |
| Max. current consumption per color | 360 mA             |
| <b>Mechanical data</b>             |                    |
| Design                             | Smooth barrel      |
| Dimensions                         | Ø 29.5 x 95.6 mm   |
| Housing material                   | Metal, Anodized AL |
| Window material                    | Glass, clear       |
| Electrical connection              | Cable, 2 m, PVC    |
| Number of cores                    | 3                  |
| Ambient temperature                | -40...+50 °C       |
| Protection class                   | IP67               |
| <b>Tests/approvals</b>             |                    |
| Approvals                          | CE                 |

### Functional principle

Pinpoint illumination