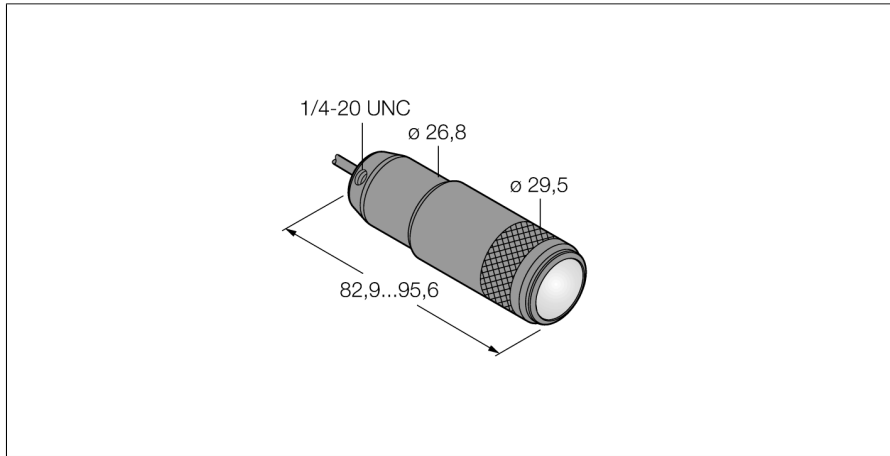
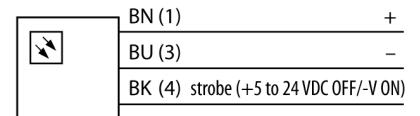


Vision System Spotlight LEDWSW



- Protection class: IP67
- Color: white
- Power supply: 10...30 VDC
- Cable, 2m

Wiring Diagram



Functional principle

Pinpoint illumination

Type	LEDWSW
ID	3079207

Signal and display data	
Purpose	Image processing
Function	Spotlight
Light type	White
Color temperature	5000...+8300K
LED service life (L70)	50000 h
Features of color 1	White
Special features	Wash down

Electrical data	
Operating voltage U_s	10...30 VDC
DC rated operating current I_s	≤ 360 mA
Max. current consumption per color	360 mA

Mechanical data	
Design	Smooth barrel
Dimensions	Ø 29.5 x 95.6 mm
Housing material	Metal, Anodized AL
Window material	Glass, clear
Electrical connection	Cable, 2 m, PVC
Number of cores	3
Ambient temperature	-40...+50 °C
Protection class	IP67

Tests/approvals	
Approvals	CE