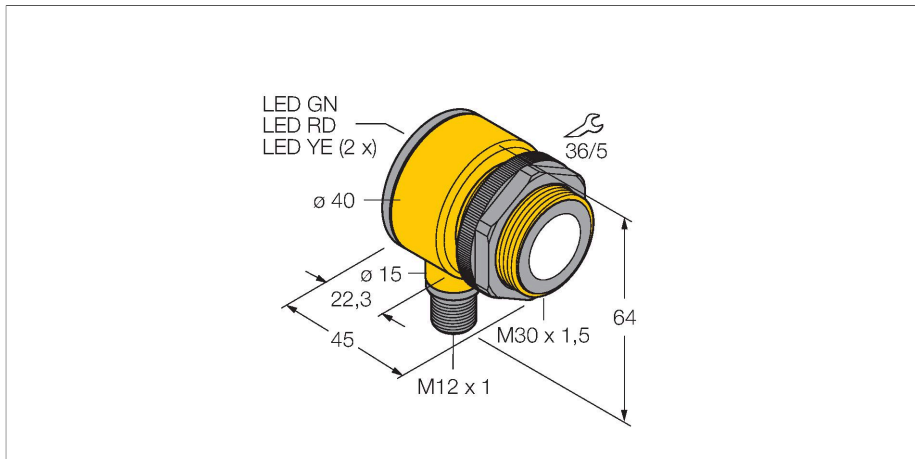


# T30UXDAQ8

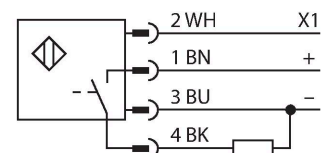
## Ultrasonic Sensor – diffuse mode sensor With Switching Output



### Features

- Compact design
- Cable with male end M12 x 1, 4-pin
- Switching output, PNP/NPN adjustable
- NO/NC adjustable
- Integrated temperature compensation
- Switching range adjustable via button or control line
- Blind zone: 10 cm
- Range: 100 cm

### Wiring diagram



### Functional principle

Ultrasonic sensors detect a multitude of objects contactless and wear-free with ultrasonic waves. Regardless of whether the object is transparent or opaque, metallic or non-metallic, liquid, solid or powdery. Even environmental conditions such as spray, dust or rain hardly affect their function.

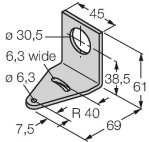
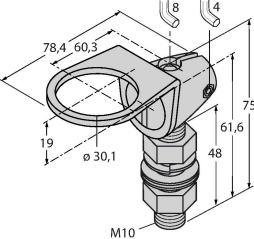
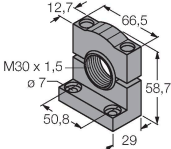
### Technical data

Type	T30UXDAQ8
ID	3079995
<b>Ultrasonic data</b>	
Function	Proximity switch
Range	100...1000 mm
Ultrasound frequency	224 kHz
Repeatability	≤ ± 0.5 mm
Temperature drift	≤ 0.02 % of full scale/K
Edge lengths of the nominal actuator	100 mm
<b>Electrical data</b>	
Operating voltage	10...30 VDC
Response time typical	< 45 ms
Readiness delay	≤ 500 ms
Output function	NO contact, PNP
Switching frequency	≤ 10 Hz
Hysteresis	≤ 2 mm
Short-circuit protection	yes / Cyclic
Reverse polarity protection	Complete
Wire breakage protection	yes
<b>Mechanical data</b>	
Design	Tube, T30U
Radiation direction	straight
Dimensions	Ø 40 x 45 mm
Housing material	Plastic, PBT
Transducer material	Plastic, Epoxyd resin and PU foam


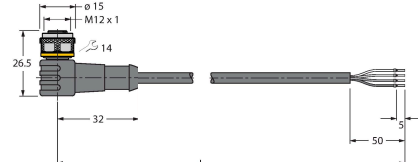
## Technical data

Electrical connection	Connector, M12 × 1, PVC
Ambient temperature	-40...+70 °C
Relative humidity	95 %
Protection class	IP67
Power-on indication	LED
Object detected	LED, Red
<b>Tests/approvals</b>	
Approvals	CE, cULus listed

## Accessories

SMB30A	3032723	Mounting bracket, rectangular, stainless steel, for sensors with 30mm thread	SMB30FAM10	3011185	Mounting bracket, stainless steel, for M10 x 1.5 thread, thread length 30 mm
					
SMB30SC	3052521	Mounting bracket, PBT black, for sensors with 30 mm thread, rotatable			
					

## Accessories

Dimension drawing	Type	ID	Description
	RKC4.4T-2/TEL	6625013	Connection cable, M12 female connector, straight, 4-pin, cable length: 2 m, jacket material: PVC, black; cULus approval
	WKC4.4T-2/TEL	6625025	Connection cable, M12 female connector, angled, 4-pin, cable length: 2 m, jacket material: PVC, black; cULus approval

Dimension drawing	Type	ID	
	RKS4.5T-2/TEL	6626361	Connection cable, M12 female connector, straight, 5-pin, cable length: 2 m, jacket material: PVC, black; shielded; cULus approval
	WKS4.5T-2/TEL	6626364	Connection cable, M12 female connector, angled, 5-pin, cable length: 2 m, jacket material: PVC, black; shielded; cULus approval