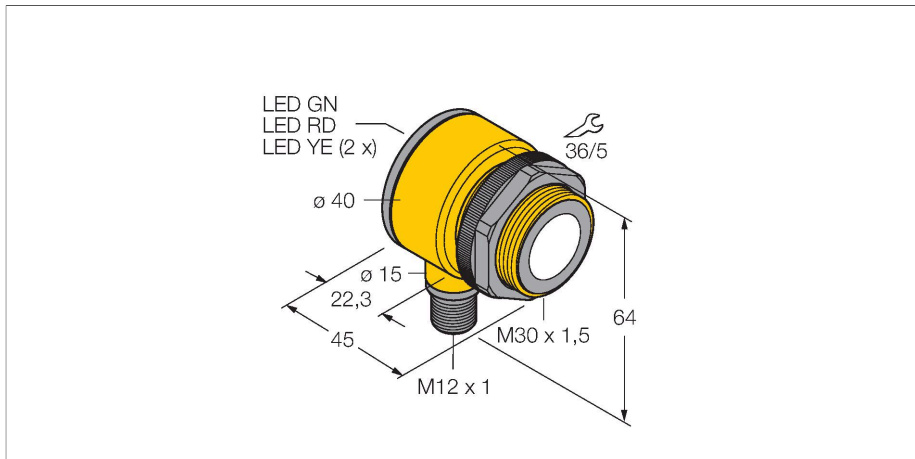


T30UXDBQ8

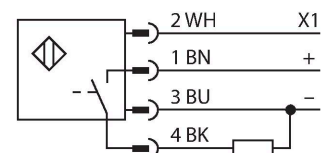
Ultrasonic Sensor – diffuse mode sensor With Switching Output



Features

- Compact design
- Cable with male end M12 x 1, 4-pin
- Switching output, PNP/NPN adjustable
- NO/NC adjustable
- Integrated temperature compensation
- Switching range adjustable via button or control line
- Blind zone: 20 cm
- Range: 200 cm

Wiring diagram



Functional principle

Ultrasonic sensors detect a multitude of objects contactless and wear-free with ultrasonic waves. Regardless of whether the object is transparent or opaque, metallic or non-metallic, liquid, solid or powdery. Even environmental conditions such as spray, dust or rain hardly affect their function.

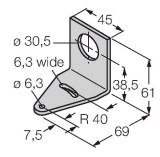
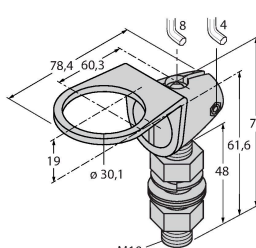
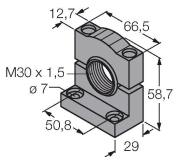
Technical data

Type	T30UXDBQ8
ID	3080058
Ultrasonic data	
Function	Proximity switch
Range	200...2000 mm
Ultrasound frequency	174 kHz
Repeatability	≤ ± 1 mm
Temperature drift	≤ 0.02 % of full scale/K
Edge lengths of the nominal actuator	100 mm
Electrical data	
Operating voltage	10...30 VDC
Response time typical	< 92 ms
Readiness delay	≤ 500 ms
Output function	NO contact, PNP
Switching frequency	≤ 5 Hz
Hysteresis	≤ 3 mm
Short-circuit protection	yes / Cyclic
Reverse polarity protection	Complete
Wire breakage protection	yes
Mechanical data	
Design	Tube, T30U
Radiation direction	straight
Dimensions	Ø 40 x 45 mm
Housing material	Plastic, PBT
Transducer material	Plastic, Epoxyd resin and PU foam

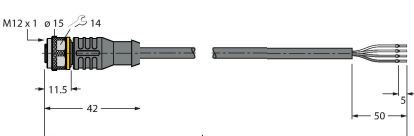
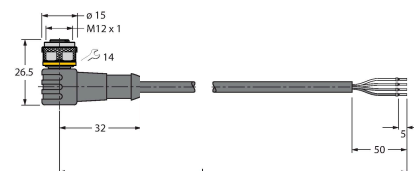
Technical data

Electrical connection	Connector, M12 × 1, PVC
Ambient temperature	-40...+70 °C
Relative humidity	95 %
Protection class	IP67
Power-on indication	LED
Object detected	LED, Red
Tests/approvals	
Approvals	CE, cULus listed

Accessories

<p>SMB30A</p> 	<p>3032723</p> <p>Mounting bracket, rectangular, stainless steel, for sensors with 30mm thread</p>	<p>SMB30FAM10</p> 	<p>3011185</p> <p>Mounting bracket, stainless steel, for M10 x 1.5 thread, thread length 30 mm</p>
<p>SMB30SC</p> 	<p>3052521</p> <p>Mounting bracket, PBT black, for sensors with 30 mm thread, rotatable</p>		

Accessories

Dimension drawing	Type	ID	
	<p>RKC4.4T-2/TEL</p>	<p>6625013</p>	<p>Connection cable, M12 female connector, straight, 4-pin, cable length: 2 m, jacket material: PVC, black; cULus approval</p>
	<p>WKC4.4T-2/TEL</p>	<p>6625025</p>	<p>Connection cable, M12 female connector, angled, 4-pin, cable length: 2 m, jacket material: PVC, black; cULus approval</p>

Dimension drawing	Type	ID	
	RKS4.5T-2/TEL	6626361	Connection cable, M12 female connector, straight, 5-pin, cable length: 2 m, jacket material: PVC, black; shielded; cULus approval
	WKS4.5T-2/TEL	6626364	Connection cable, M12 female connector, angled, 5-pin, cable length: 2 m, jacket material: PVC, black; shielded; cULus approval