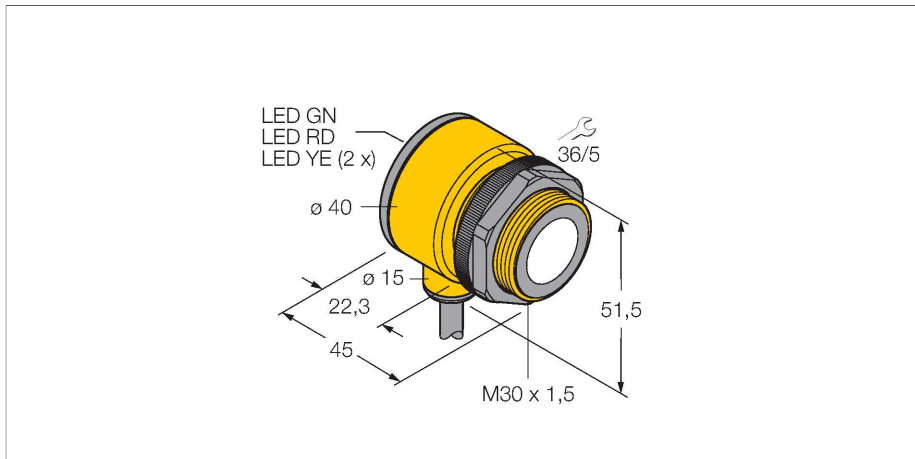


T30UXUC

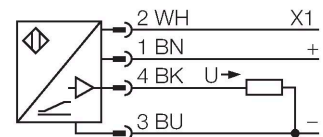
Ultrasonic Sensor – diffuse mode sensor With Analog Output



Features

- Compact design
- Cable, 4-pin, 2 m
- Analog output 0...10 V
- Response time adjustable
- Integrated temperature compensation
- Measuring range adjustable via teach-in
- Blind zone: 30 cm
- Range: 300 cm

Wiring diagram



Functional principle

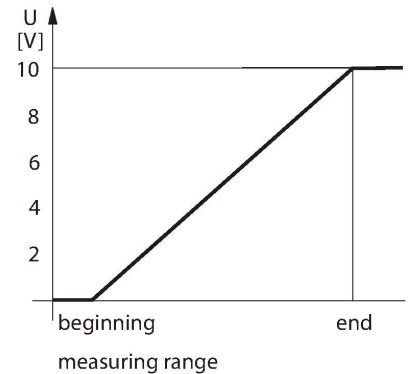
Ultrasonic sensors detect a multitude of objects contactless and wear-free with ultrasonic waves. Regardless of whether the object is transparent or opaque, metallic or non-metallic, liquid, solid or powdery. Even environmental conditions such as spray, dust or rain hardly affect their function.

Technical data

Type	T30UXUC
ID	3080474
Ultrasonic data	
Function	Proximity switch
Range	300...3000 mm
Ultrasound frequency	114 kHz
Repeatability	≤ ± 1.5 mm
Temperature drift	≤ 0.02 % of full scale/K
Edge lengths of the nominal actuator	100 mm
Electrical data	
Operating voltage	10...30 VDC
Response time typical	< 135 ms
Readiness delay	≤ 500 ms
Output function	Analog output
Voltage output	0...10 V
Hysteresis	≤ 4 mm
Short-circuit protection	yes / Cyclic
Reverse polarity protection	Complete
Wire breakage protection	yes
Mechanical data	
Design	Tube, T30U
Radiation direction	straight
Dimensions	Ø 40 x 45 mm
Housing material	Plastic, PBT
Transducer material	Plastic, Epoxyd resin and PU foam

Technical data

Electrical connection	Cable, 2 m, PVC
Ambient temperature	-40...+70 °C
Relative humidity	95 %
Protection class	IP67
Power-on indication	LED
Object detected	LED, Red
Tests/approvals	
Approvals	CE, cULus listed

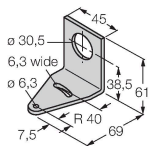


Accessories

SMB30A

3032723

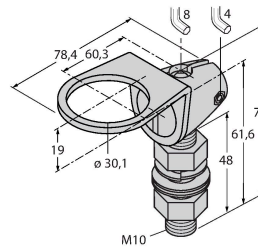
Mounting bracket, rectangular, stainless steel, for sensors with 30mm thread



SMB30FAM10

3011185

Mounting bracket, stainless steel, for M10 x 1.5 thread, thread length 30 mm



SMB30SC

3052521

Mounting bracket, PBT black, for sensors with 30 mm thread, rotatable

