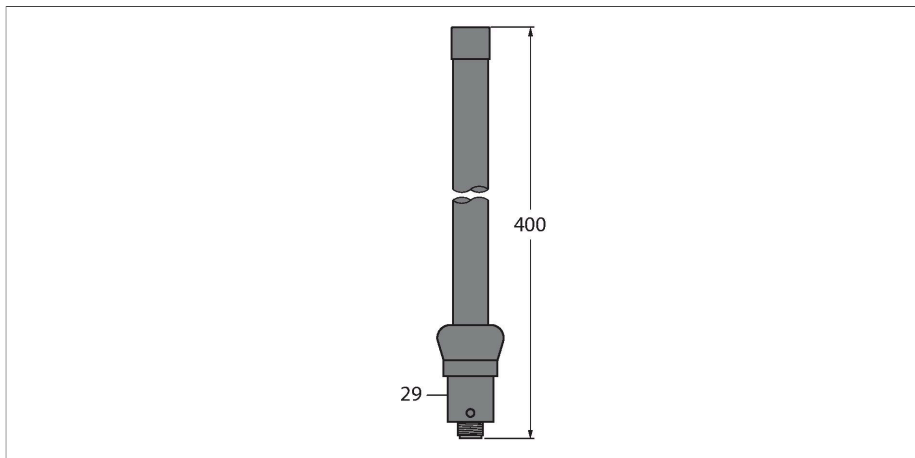


# BWA-2O6-A Antenna



## Features

- Internal antenna 6 dBi
- N-connector, female

## Functional principle

Wireless devices with external connection require antennas. They are available with different gains to compensate possible losses resulting from the use of extension cables. We also offer special glass fiber antennas. They are perfectly suited for outdoor applications. The DX70 or DX80 devices are delivered with a 2.4 GHz antenna and with 2 dB gain (except devices with internal antenna).

## Technical data

Type	BWA-2O6-A
ID	3081081
Device type	Antenna
Frequency band	2.4 GHz
Dimensions	400 mm
Antenna connection	N-type male connector
Tests/approvals	