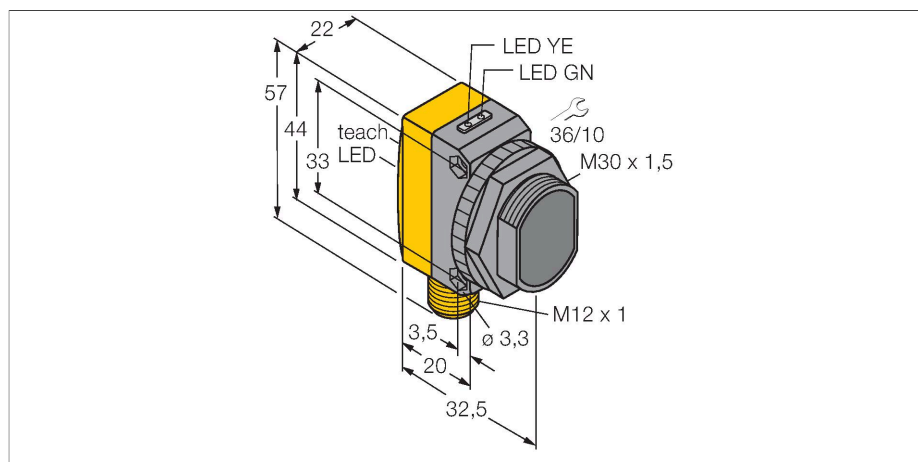


# QS30ELVCQ

## Photoelectric Sensor – Retroreflective Sensor



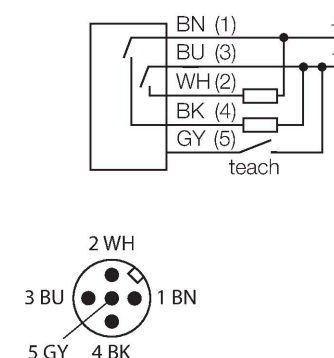
### Technical data

Type	QS30ELVCQ
ID	3081102
<b>Optical data</b>	
Function	Retroreflective Sensor
Operating mode	Unpolarized
Light type	Red
Wavelength	660 nm
Range	100...2000 mm
<b>Electrical data</b>	
Operating voltage	10...30 VDC
Residual ripple	< 10 % U <sub>ss</sub>
DC rated operational current	≤ 150 mA
No-load current	≤ 25 mA
Short-circuit protection	yes
Reverse polarity protection	yes
Output function	NO contact, PNP/NPN
Switching frequency	≤ 1000 Hz
Readiness delay	≤ 250 ms
Response time typical	< 0.5 ms
Setting option	Push Button Remote Teach
<b>Mechanical data</b>	
Design	Rectangular with thread, QS30
Dimensions	Ø 30 x 35 x 22 x 57 mm
Housing material	Plastic, Thermoplastic material, Yellow
Lens	plastic, Acrylic
Electrical connection	Connector, M12 × 1, PVC

### Features

- Male M12 × 1, 5-pin
- Protection class IP67
- Clear object detection
- LED, all-round visible
- Teach button
- 8-segment bargraph
- Sensitivity adjustment for three different object classes
- Reflector BRT-2X2LVC and BRT-40X19A included in delivery
- Operating voltage: 10...30 VDC
- Switching output, bipolar
- Light or dark operation

### Wiring diagram

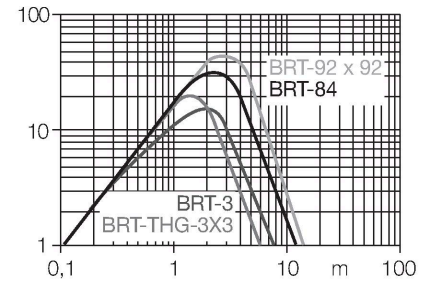


### Functional principle

The QS30ELVC is a high-performance retro-reflective sensor for the detection of light, transparent and also opaque objects. Thanks to a special follow-up algorithm with automatic compensation, thresholds can be adjusted to constantly changing signal strengths. The sensor is thus perfectly suited for the detection of PET bottles, glass jars, reflecting surfaces, LCDs or even wafers.

## Technical data

Number of cores	5
Ambient temperature	-10...+55 °C
Protection class	IP67
Special features	Clear object detection
Power-on indication	LED, Green
Switching state	LED, Yellow
Error indication	LED, green, Flashing
Excess gain indication	Bargraph, red
<b>Tests/approvals</b>	
Approvals	CE



## Accessories

**SMB30A** 3032723

Mounting bracket, rectangular, stainless steel, for sensors with 30mm thread

**SMBQS30L** 3002809

Mounting bracket, stainless steel, for QS30 series

**SMB30MM** 3027162

Mounting bracket, rectangular, stainless steel, for sensors with 30 mm thread, wide holes for accurate alignment

**SMB30SC** 3052521

Mounting bracket, PBT black, for sensors with 30 mm thread, rotatable

## Accessories

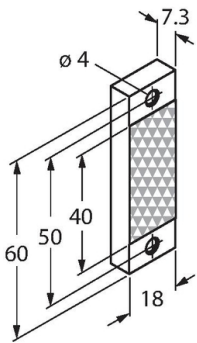
Dimension drawing	Type	ID	
	WKC4.5T-2/TEL	6625028	Connection cable, female M12, angled, 5-pin, cable length: 2 m, sheath material: PVC, black; cULus approval; other cable lengths and qualities available, see <a href="http://www.turck.com">www.turck.com</a>

Dimension drawing	Type	ID	
	RKC4.5T-2/TEL	6625016	Connection cable, female M12, straight, 5-pin, cable length: 2 m, sheath material: PVC, black; cULus approval; other cable lengths and qualities available, see <a href="http://www.turck.com">www.turck.com</a>

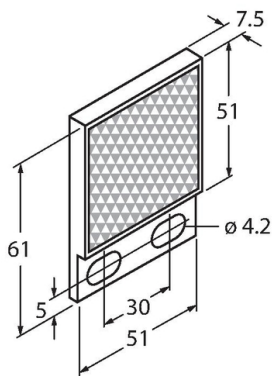


## Accessories

Dimension drawing	Type	ID	
	BRT-40X19A	3067492	Rectangular reflector, reflection coefficient 1.3, material acrylic, ambient temperature -20 ... +60 °C



	BRT-2X2LVC	3083392	Round reflector, reflection coefficient 1.0, material acrylic, ambient temperature -20 ... +60 °C
--	------------	---------	---



	BRT-84	3058979	Round reflector, reflection coefficient 1.4, material acrylic, ambient temperature -20 ... +60 °C
--	--------	---------	---

